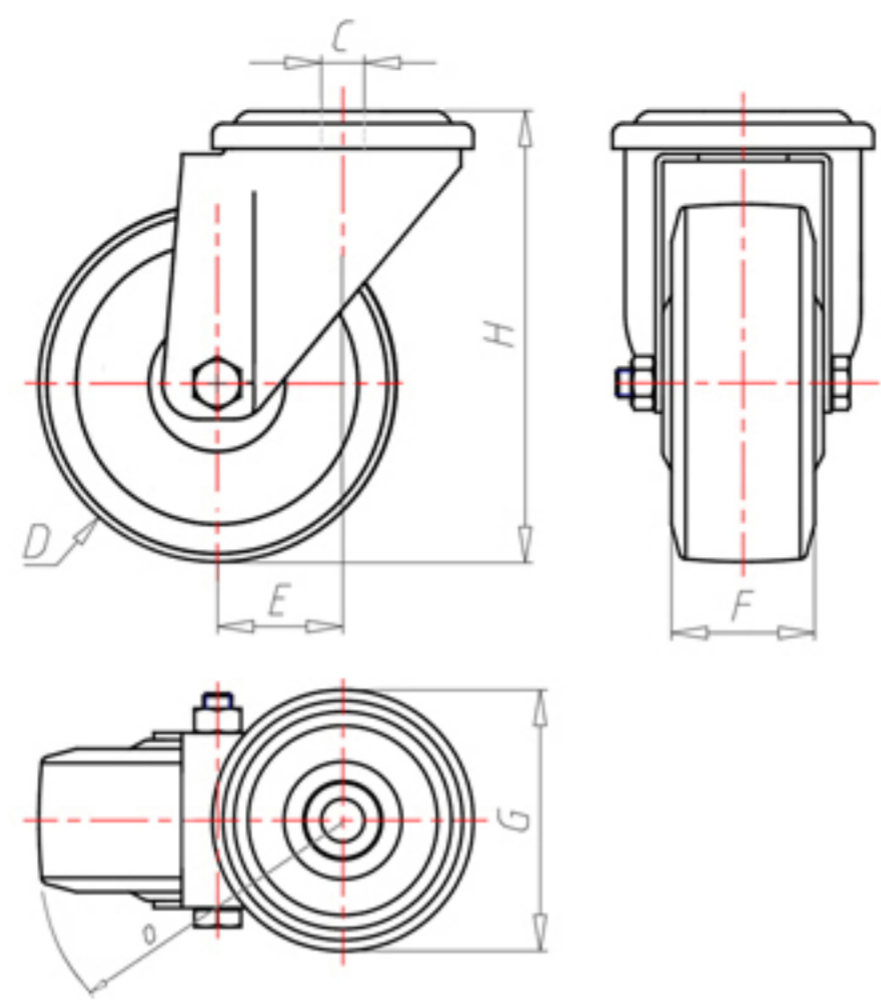




72 Shore A
+80°C
-40°C

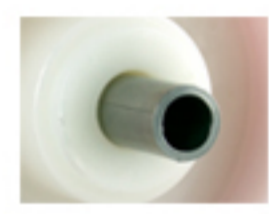


	D	100
	F	33
	H	128
	G	Ø 77
	C	Ø 12
	E	42
	O	124
	LC	180



Code for plain bore wheel

XSPZ10045FA



Code for wheel with roller bearing

XSPZ10045RFA

