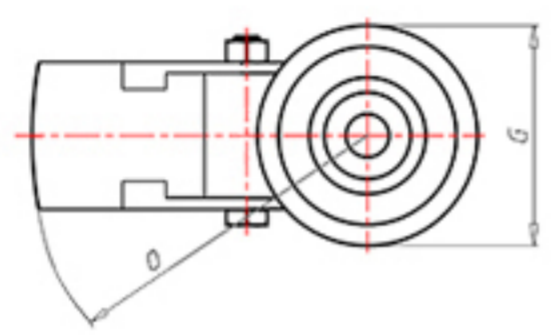
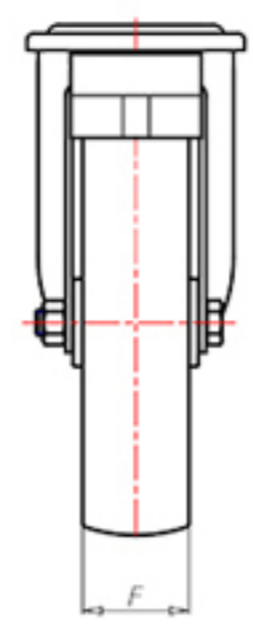
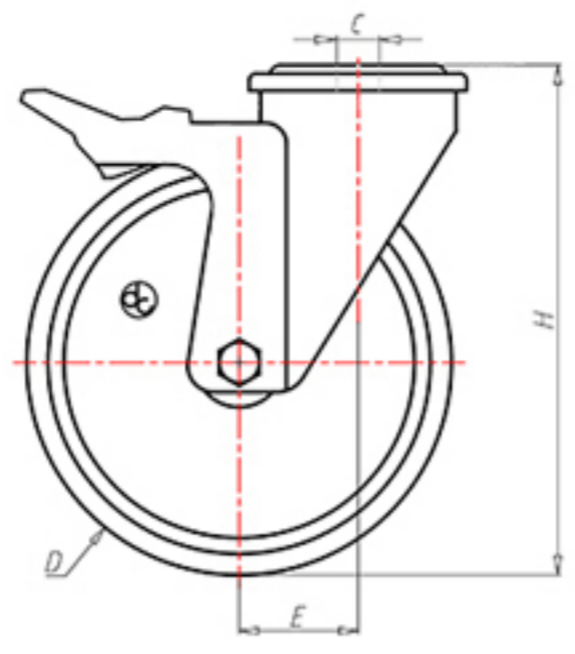




72 Shore A
+80°C
-40°C

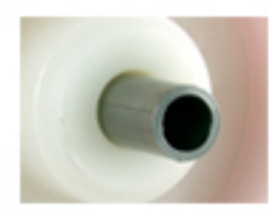


	D	125
	F	35
	H	155
	G	Ø 77
	C	Ø 12
	E	44
	O	124
	LC	210



Code for plain bore wheel

ACPZ12545FA



Code for wheel with roller bearing

ACPZ12545RFA

