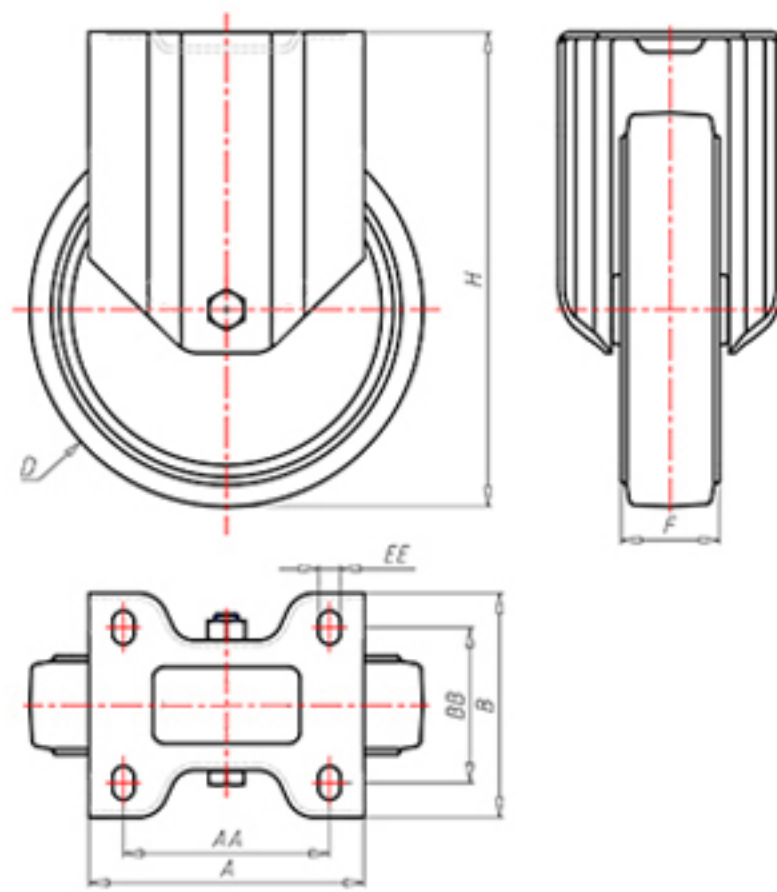




+150°C
-40°C



	D	100
	F	35
	H	128
	AxB	100x85
	AAxBB	80x60
	EE	9
	LC	250



Code for plain bore wheel

LFX10040



Code for wheel with coated bush

LFX10040BR



Code for wheel with double BT self-lube bush

LFX10040BT



Code for wheel with double HT ball bearing

-

