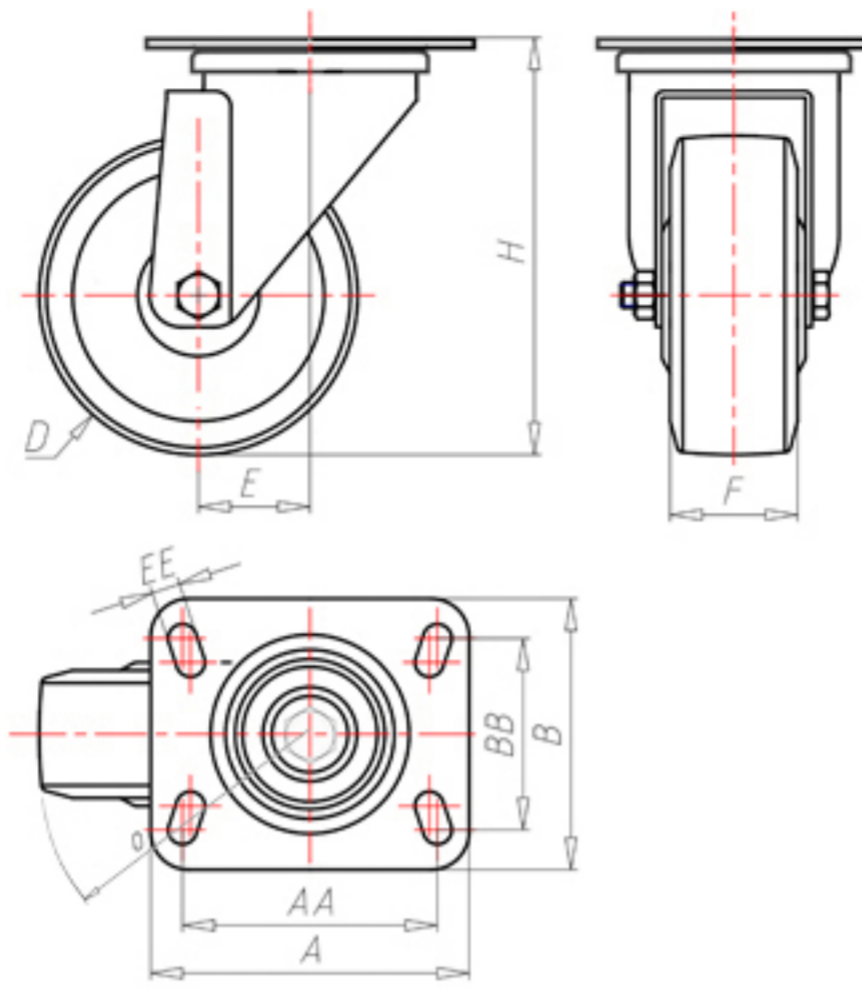


**DITHERM
LTW**

+150°C
-40°C

INOX



	D	100
	F	35
	H	131
	AxA	100x85
	AAxBBB	80x60
	EE	9
	E	42
	O	92
	LC	250



Code for plain bore wheel

LGX10040P



Code for wheel with coated bush

LGX10040PBR



Code for wheel with double BT self-lube bush

LGX10040PBT



Code for wheel with double HT ball bearing

-

