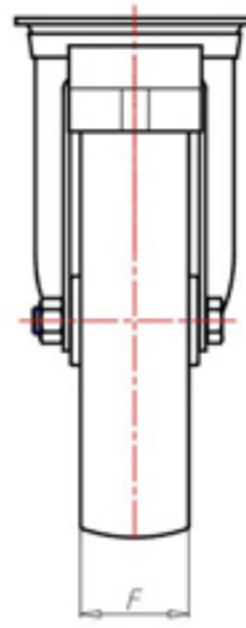
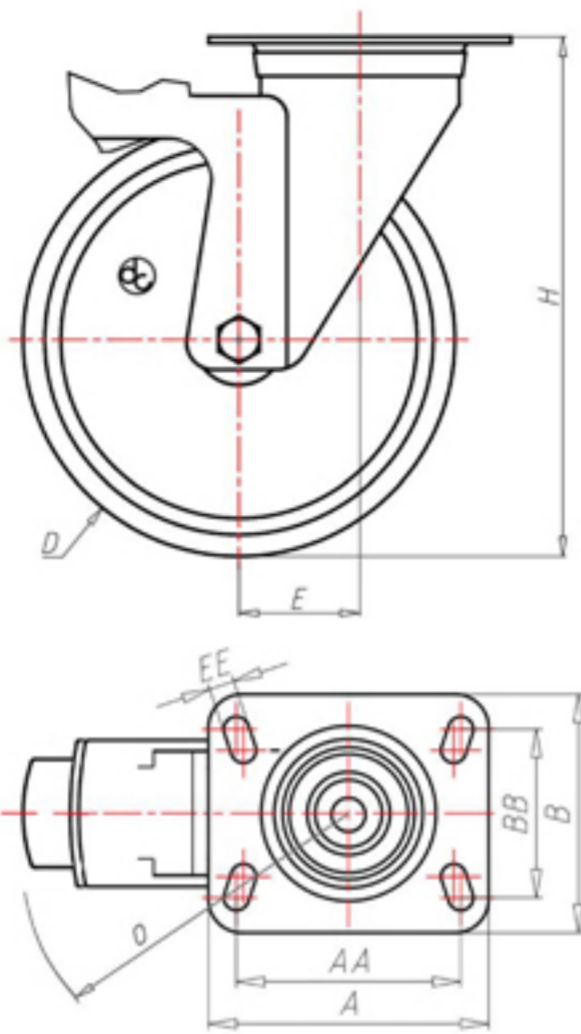


**DITHERM
LTW**

+150°C
-40°C

INOX



	D	125
	F	40
	H	155
	AxA	100x85
	AAxBB	80x60
	EE	9
	E	44
	O	124
	LC	230



Code for plain bore wheel

LGX12545FS



Code for wheel with coated bush

LGX12545BRFS



Code for wheel with double BT self-lube bush

-



Code for wheel with double HT ball bearing

-

