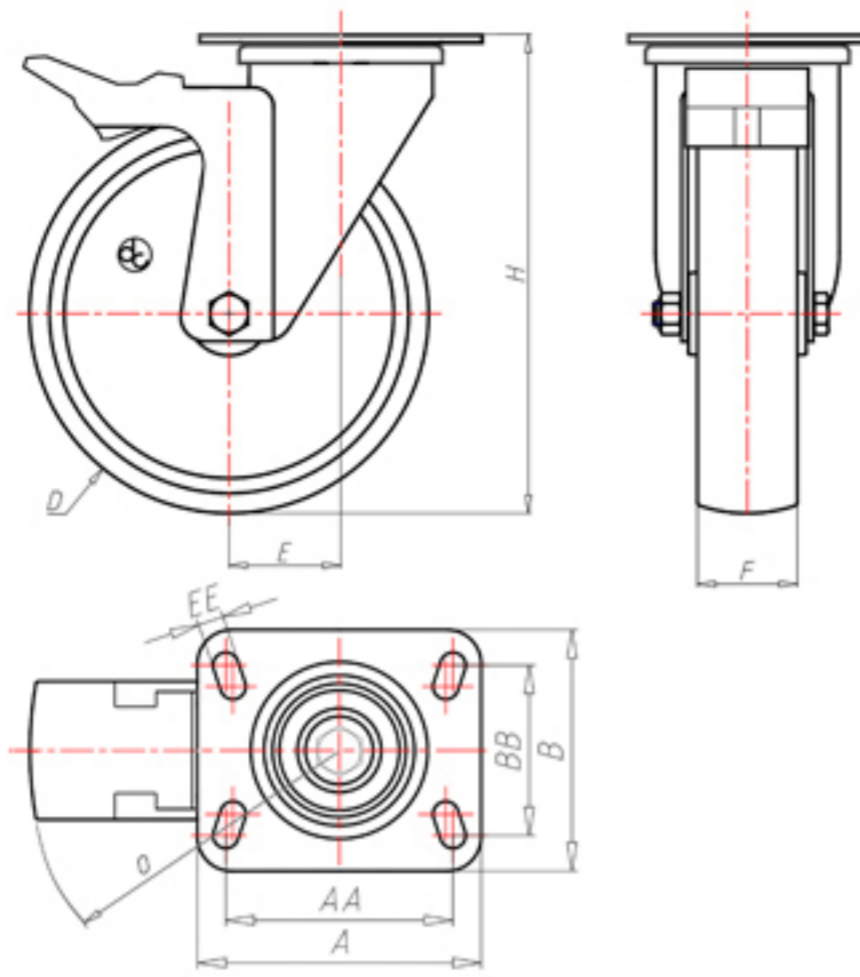


**DITHERM
LTW**

+150°C
-40°C

INOX



	D	125
	F	40
	H	158
	AxA	100x85
	AAxBB	80x60
	EE	9
	E	44
	O	107
	LC	260



Code for plain bore wheel

LGX12545P



Code for wheel with coated bush

LGX12545PBR



Code for wheel with double BT self-lube bush

-



Code for wheel with double HT ball bearing

-

