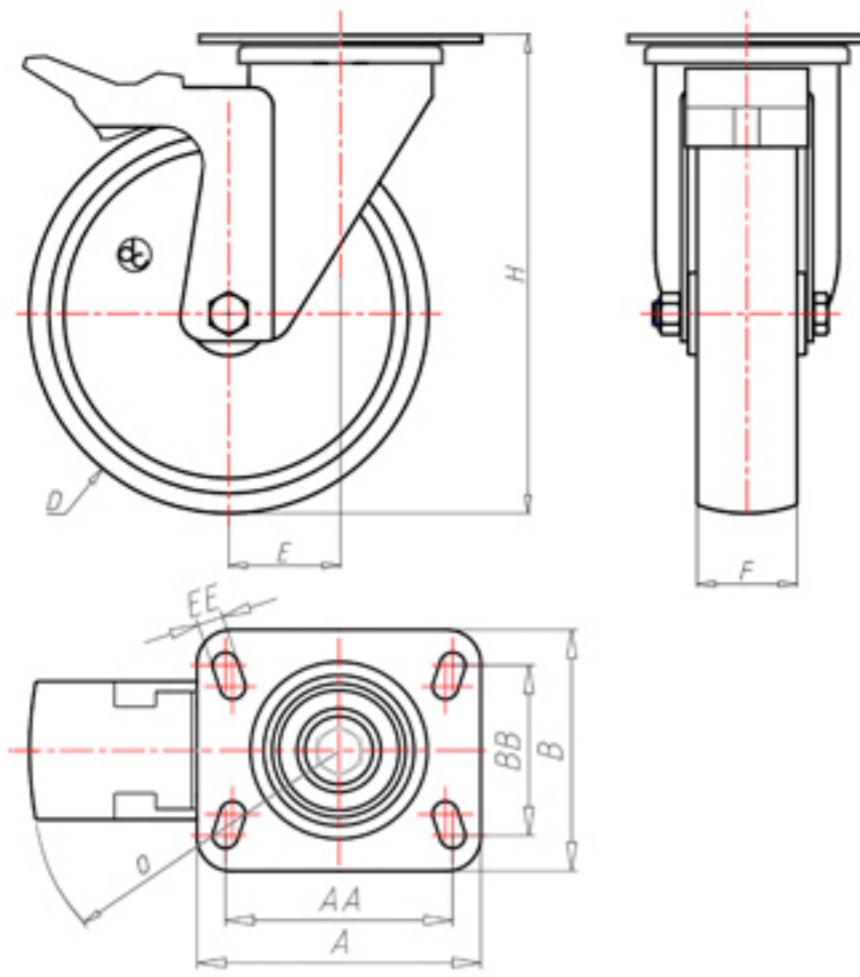


**DITHERM  
LTW**

+150°C  
-40°C

**INOX**



	D	200
	F	50
	H	235
	AxA	135x110
	AAxBB	105x80
	EE	11
	E	56
	O	167
	LC	500



Code for plain bore wheel

**LGX20060PFA**



Code for wheel with coated bush

-



Code for wheel with double BT self-lube bush

-



Code for wheel with double HT ball bearing

-

