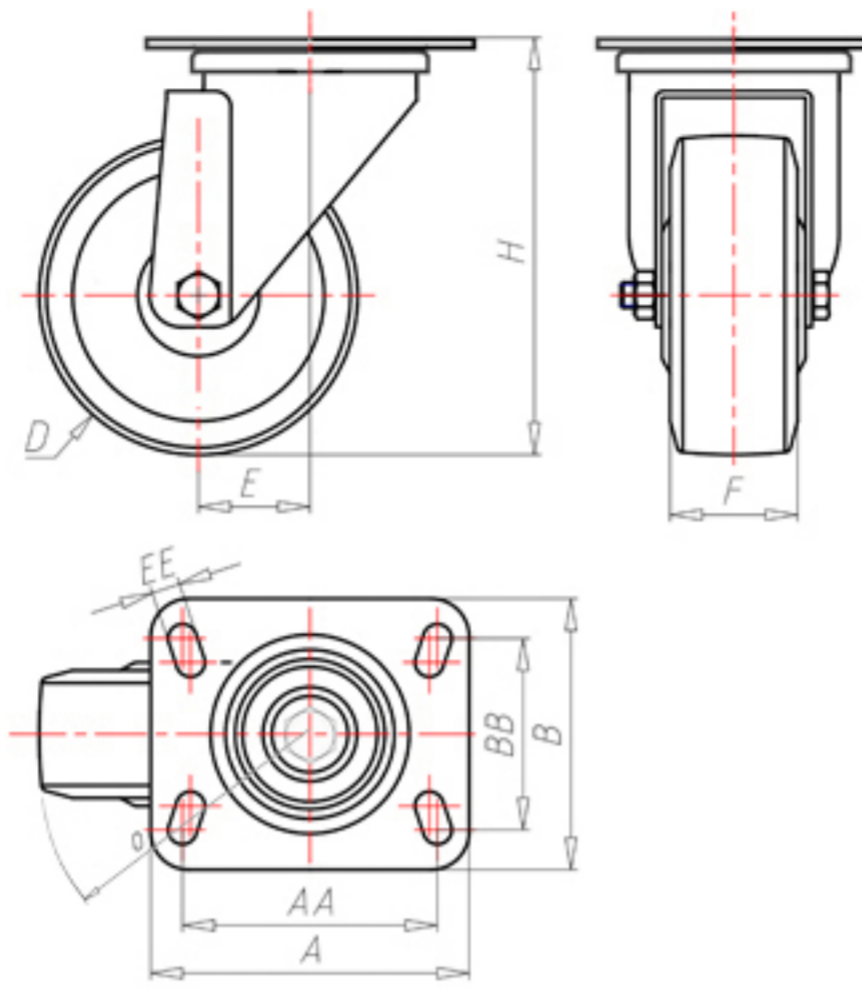


**DITHERM
LTW**

+150°C
-40°C

INOX



	D	80
	F	35
	H	110
	AxA	100x85
	AAxBBB	80x60
	EE	9
	E	40
	O	82
	LC	230



Code for plain bore wheel

LGX8040



Code for wheel with coated bush

LGX8040BR



Code for wheel with double BT self-lube bush

LGX8040BT



Code for wheel with double HT ball bearing

-

