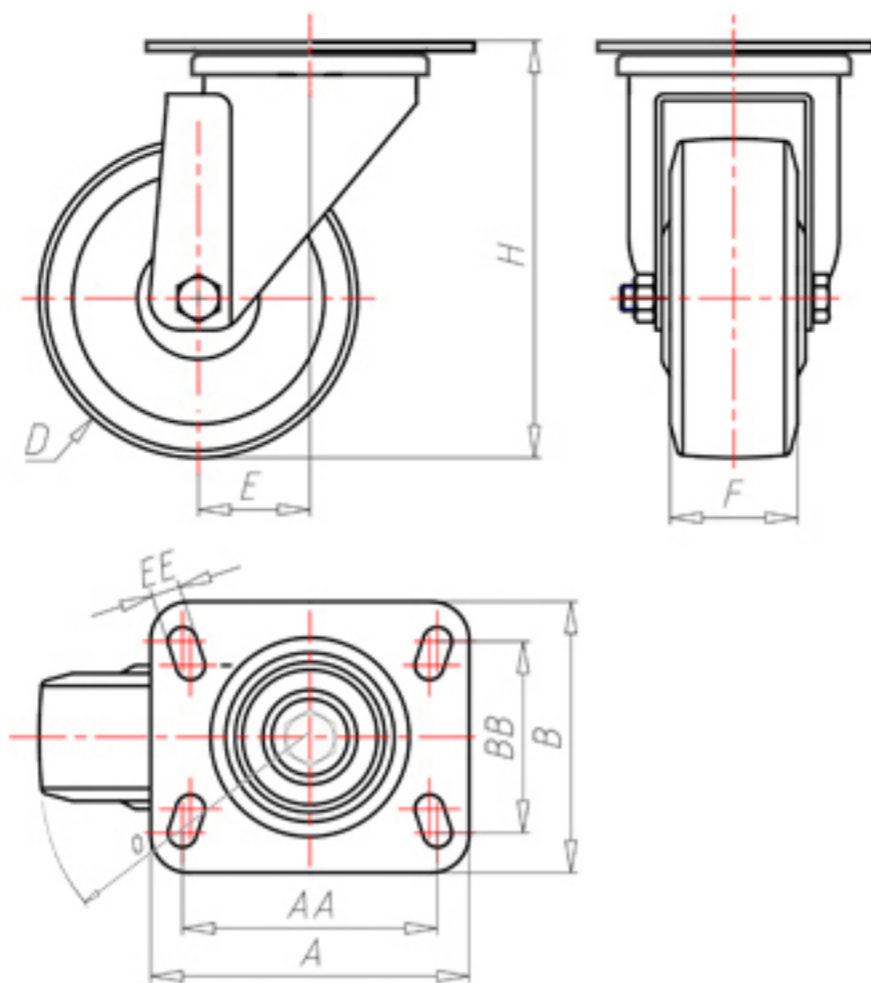




+150°C  
-40°C



	D	100
	F	35
	H	131
	AxA	100x85
	AAxBBB	80x60
	EE	9
	E	42
	O	92
	LC	250



Code for plain bore wheel

**LGZ10040P**



Code for wheel with coated bush

**LGZ10040PBR**



Code for wheel with double BT self-lube bush

**LGZ10040PBT**



Code for wheel with double HT ball bearing

-

