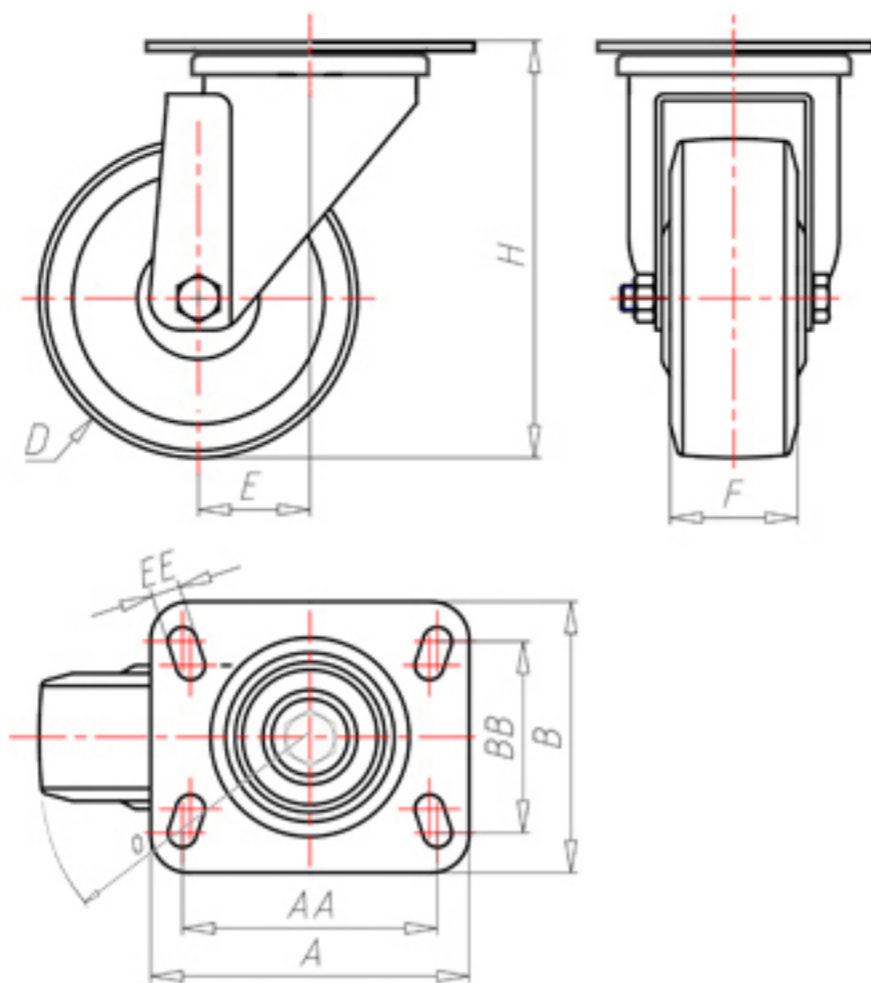




+150°C
-40°C



	D	150
	F	40
	H	184
	AxA	100x85
	AAxBB	80x60
	EE	9
	E	46
	O	120
	LC	280



Code for plain bore wheel

LGZ15045P



Code for wheel with coated bush

LGZ15045PBR



Code for wheel with double BT self-lube bush

-



Code for wheel with double HT ball bearing

-

