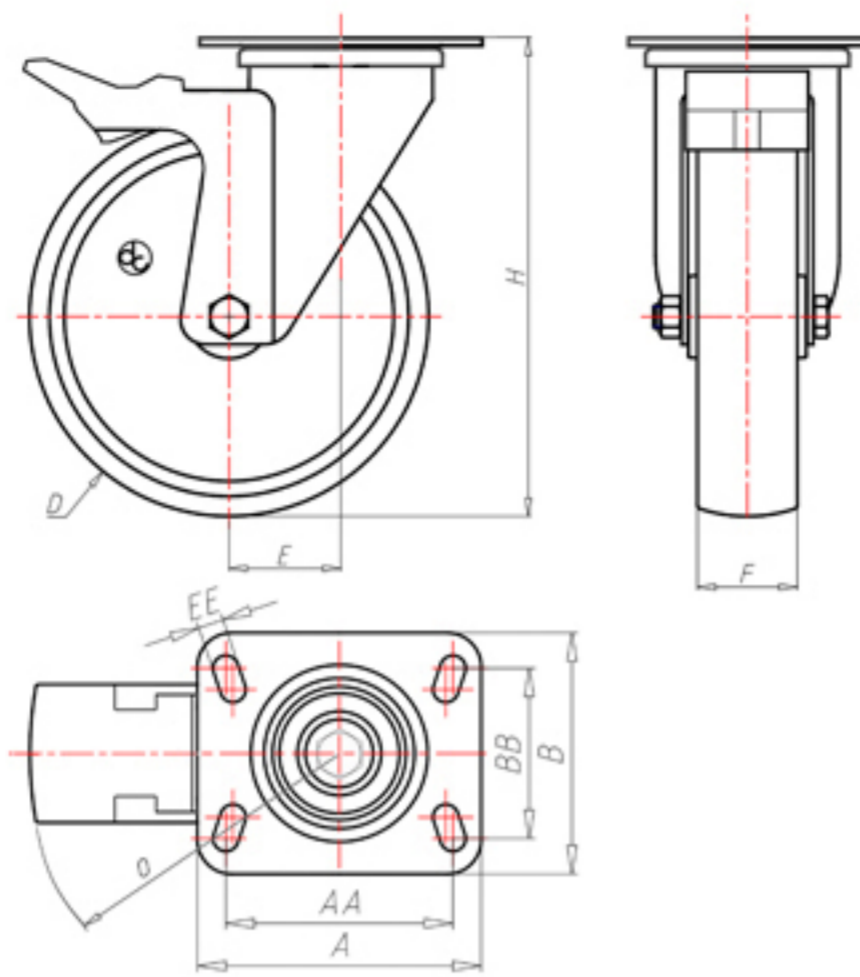




+150°C
-40°C



	D	150
	F	40
	H	184
	AxA	135x110
	AAxBB	105x80
	EE	11
	E	52
	O	124
	LC	350



Code for plain bore wheel

LGZ15060PFA



Code for wheel with coated bush

-



Code for wheel with double BT self-lube bush

-



Code for wheel with double HT ball bearing

-

