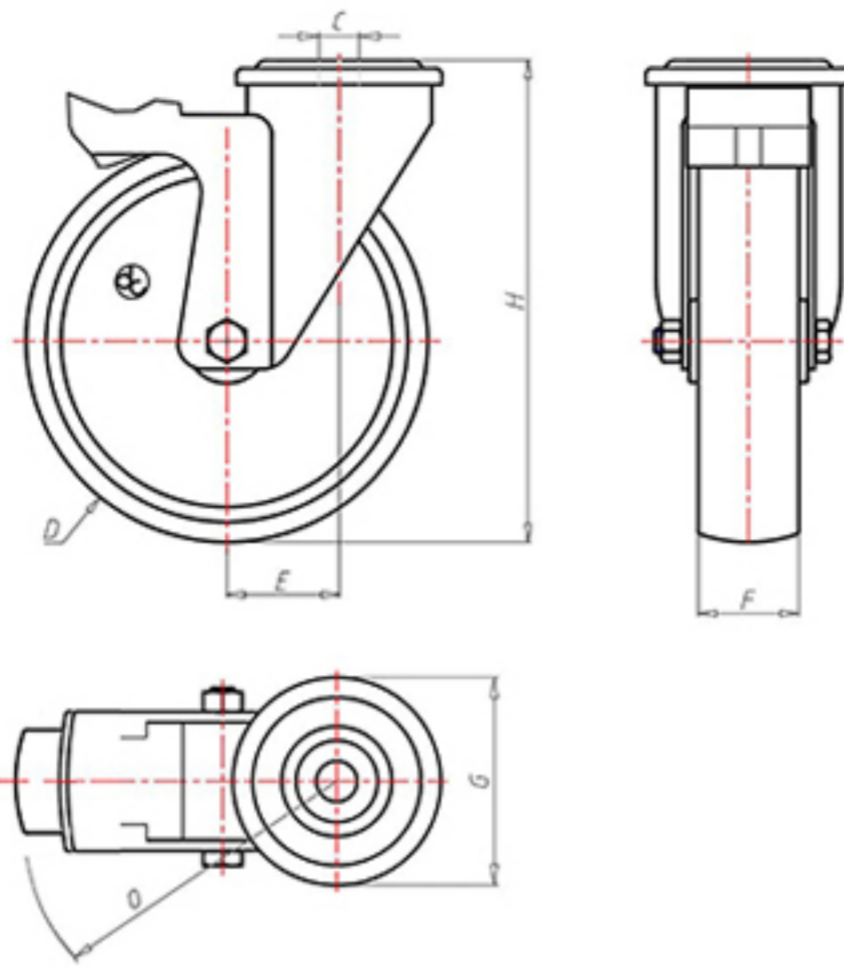




+150°C  
-40°C



	D	80
	F	35
	H	108
	G	Ø 77
	C	Ø 12
	E	40
	O	124
	LC	200



Code for plain bore wheel

LPX8040FS



Code for wheel with coated bush

LPX8040BRFS



Code for wheel with double BT self-lube bush

LPX8040BTFS



Code for wheel with double HT ball bearing

-

