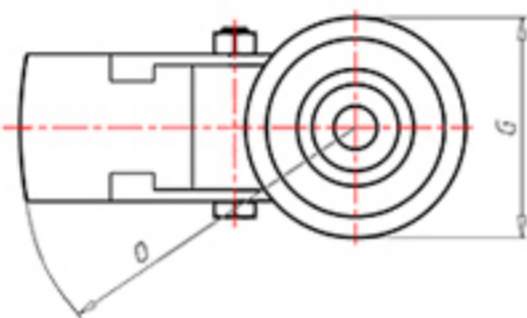
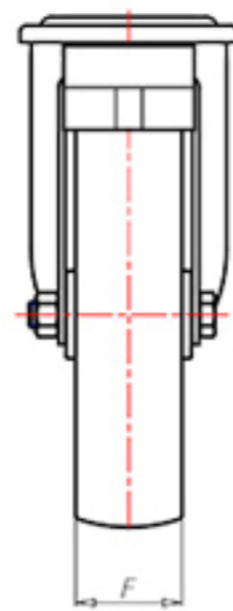
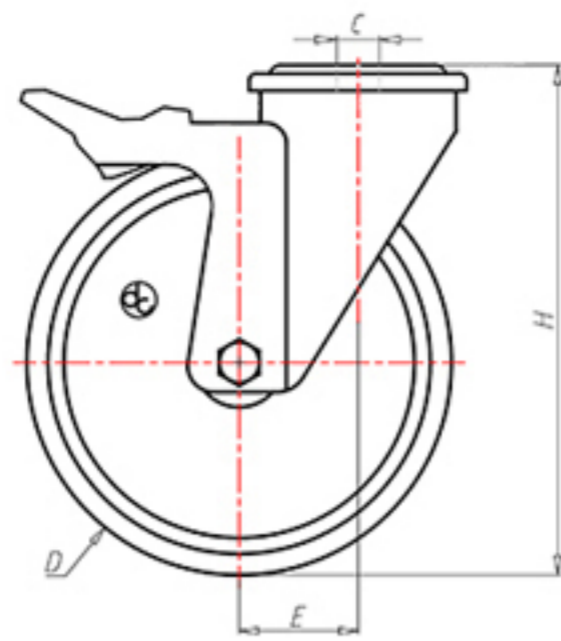




+150°C  
-40°C



|  |          |       |
|--|----------|-------|
|  | D        | 200   |
|  | F        | 50    |
|  | H        | 232   |
|  | G        | Ø 102 |
|  | C        | Ø 16  |
|  | E        | 56    |
|  | O        | 167   |
|  | Kg<br>LC | 400   |



Code for plain bore wheel

LPZ20060FA



Code for wheel with coated bush

-



Code for wheel with double BT self-lube bush

-



Code for wheel with double HT ball bearing

-

