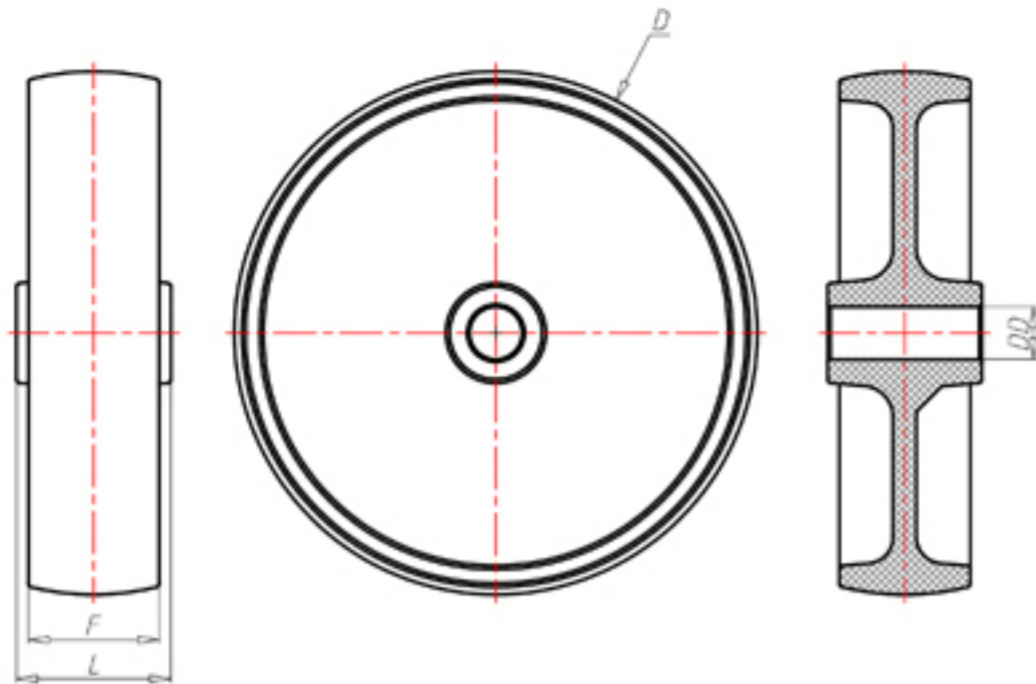




+150°C  
-40°C



|  |    |      |
|--|----|------|
|  | D  | 80   |
|  | F  | 35   |
|  | L  | 45   |
|  | DD | Ø 10 |
|  | LC | 250  |



Code for plain bore wheel

-



Code for wheel with coated bush

-



Code for wheel with double BT self-lube bush

**LTW8040BT**



Code for wheel with double HT ball bearing

-

