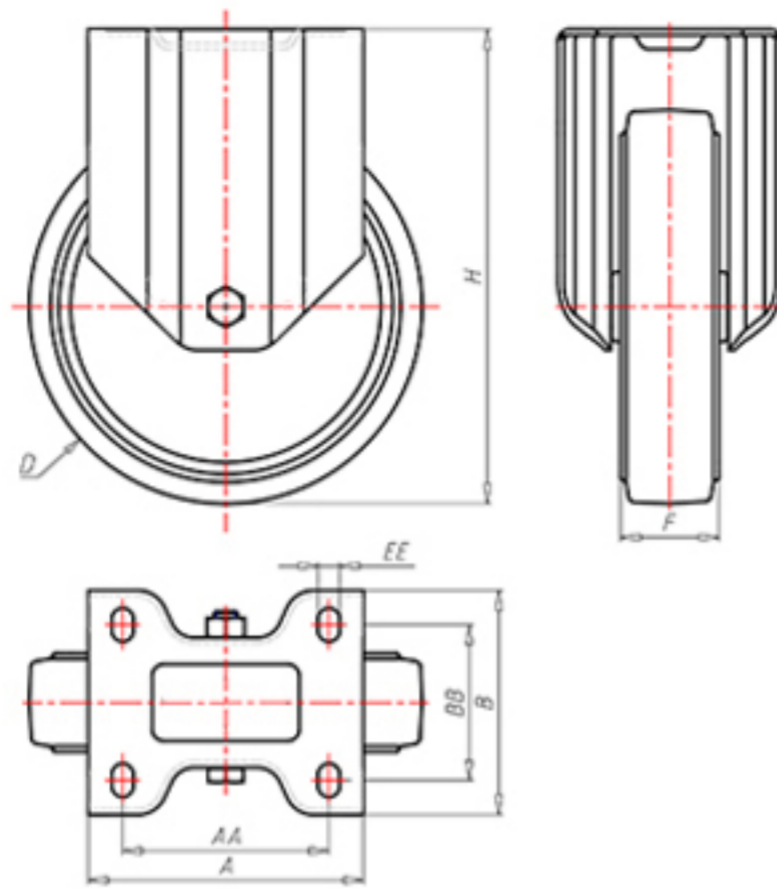


**DITHERM  
MTW**

+300°C  
-40°C



	D	80
	F	35
	H	108
	AxB	100x85
	AAxBB	80x60
	EE	9
	LC	170



Code for plain bore wheel

**MFZ80**



Code for wheel with coated bush

**MFZ80BR**



Code for wheel with double BT self-lube bush

**MFZ80BT**



Code for wheel with double HT ball bearing

**MFZ80C**



Code wheel with double sintered bronze bush

**MFZ80BS**

