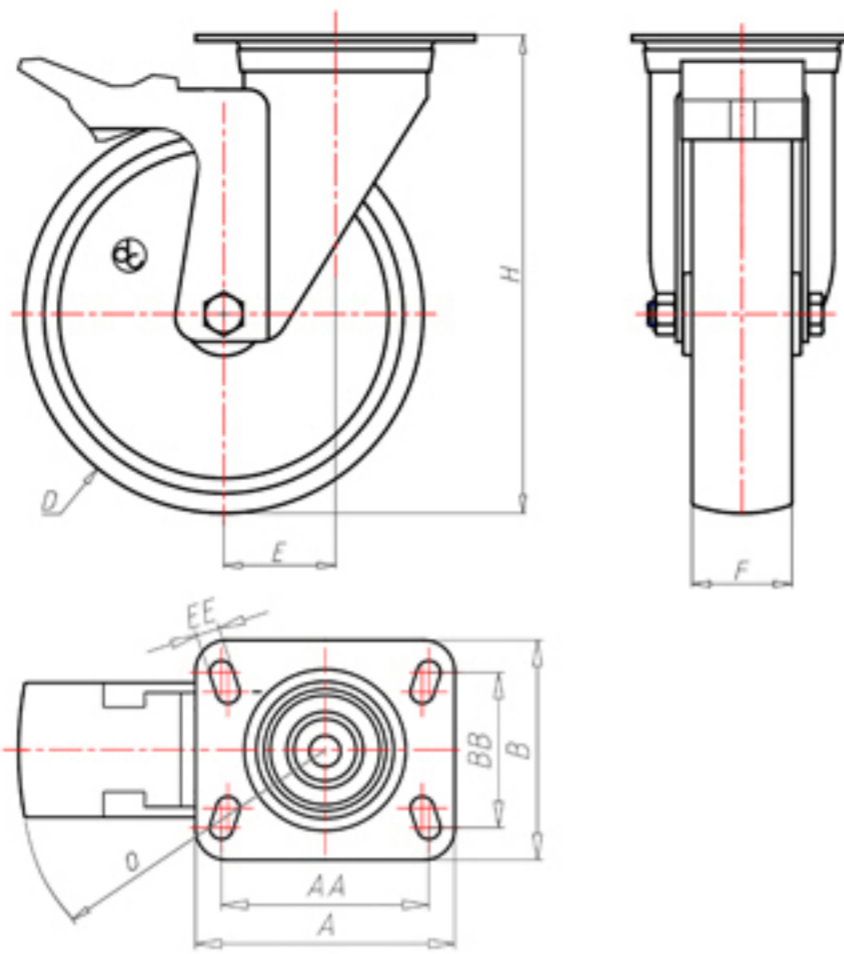


**DITHERM  
MTW**

+300°C  
-40°C

**INOX**



	D	100
	F	35
	H	128
	AxB	100x80
	AAxBB	80x60
	EE	9
	E	42
	O	124
	LC	190



Code for plain bore wheel

**MGX100LFA**



Code for wheel with coated bush

**MGX100LBRFA**



Code for wheel with double BT self-lube bush

**MGX100LBTFA**



Code for wheel with double HT ball bearing

-



Code wheel with double sintered bronze bush

**MGX100LBSFA**

