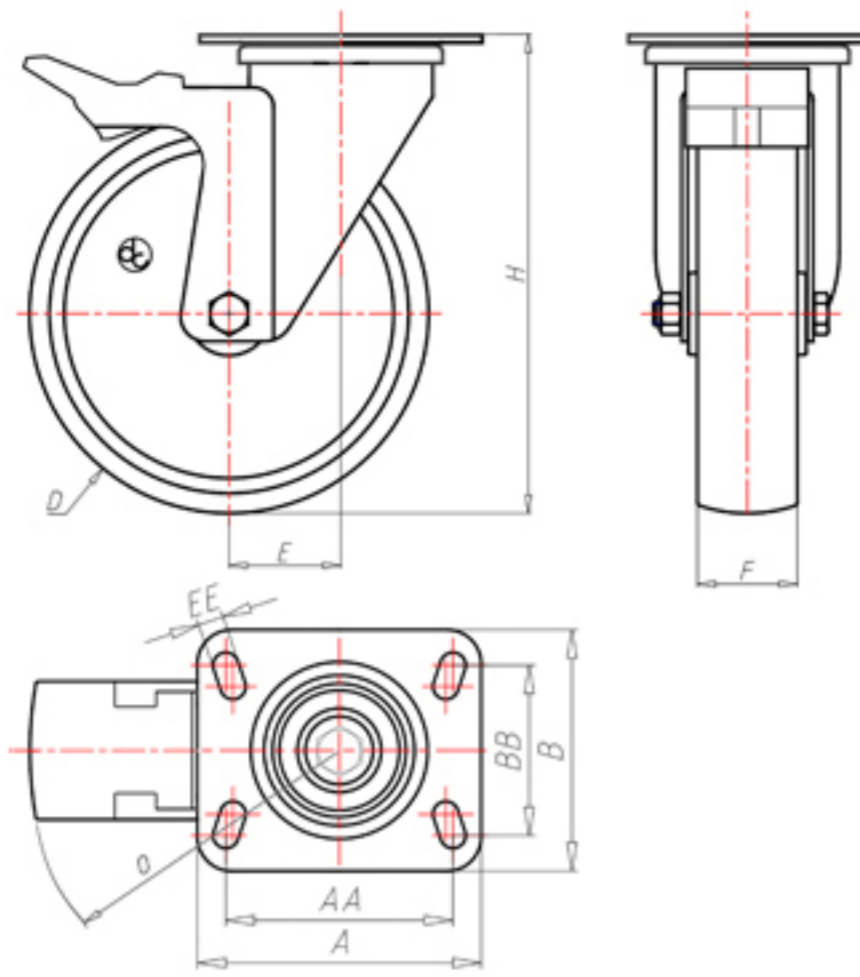


**DITHERM  
MTW**

+300°C  
-40°C

**INOX**



	D	125
	F	40
	H	158
	AxB	100x85
	AAxBB	80x60
	EE	9
	E	44
	O	124
	LC	250



Code for plain bore wheel

**MGX12545PFA**



Code for wheel with coated bush

**MGX12545PBRFA**



Code for wheel with double BT self-lube bush

**MGX12545PBTFA**



Code for wheel with double HT ball bearing

-



Code wheel with double sintered bronze bush

-

