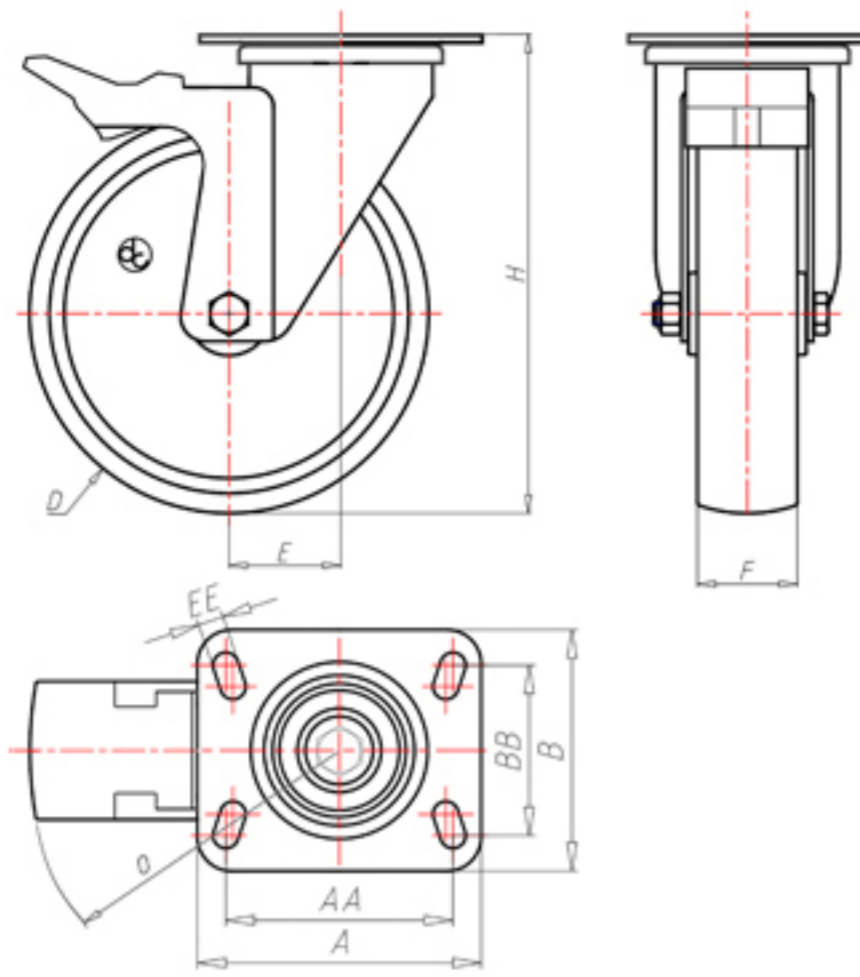


**DITHERM
MTW**

+300°C
-40°C

INOX



	D	80
	F	35
	H	110
	AxB	100x85
	AAxBB	80x60
	EE	9
	E	40
	O	124
	LC	170



Code for plain bore wheel

MGX80PFA



Code for wheel with coated bush

MGX80PBRFA



Code for wheel with double BT self-lube bush

MGX80PBTFA



Code for wheel with double HT ball bearing

MGX80PCFA



Code wheel with double sintered bronze bush

MGX80PBSFA

