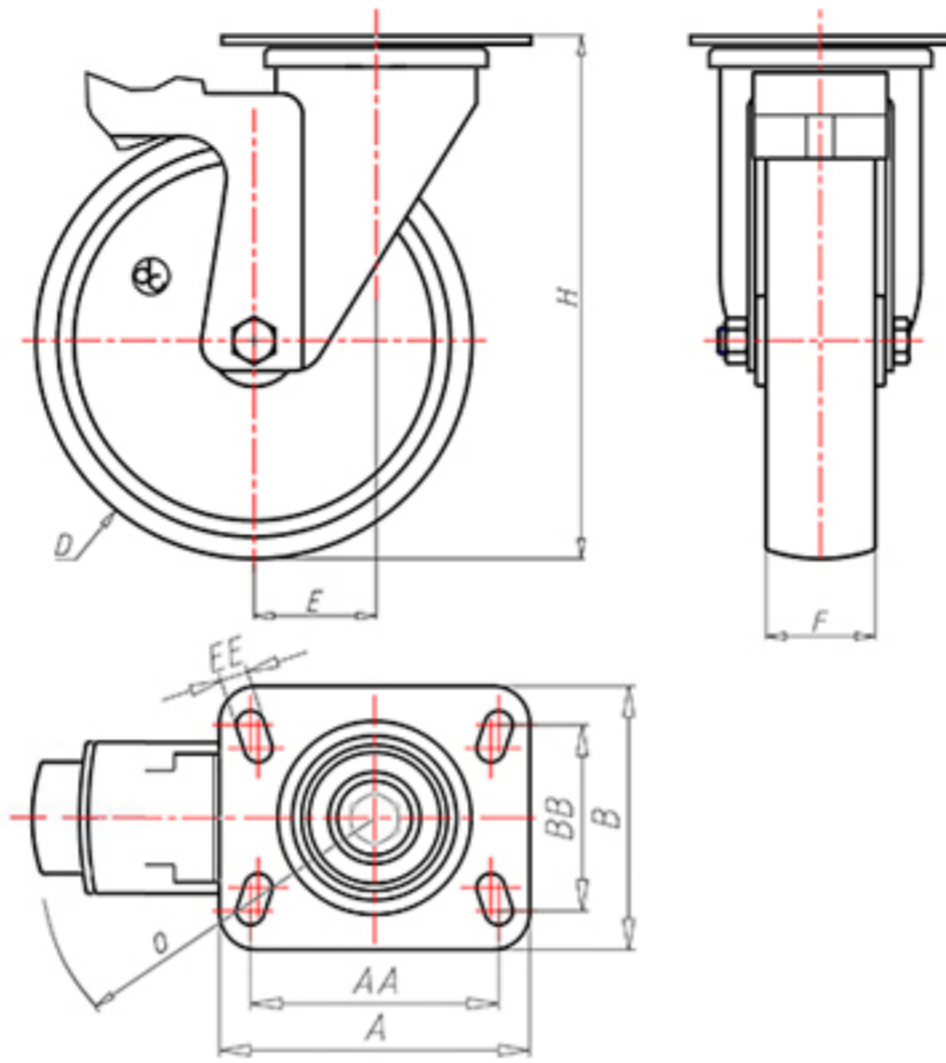


**DITHERM
MTW**

+300°C
-40°C



	D	125
	F	40
	H	158
	AxB	100x85
	AAxBB	80x60
	EE	9
	E	44
	O	124
	LC	230



Code for plain bore wheel

MGZ12545PFS



Code for wheel with coated bush

MGZ12545PBRFS



Code for wheel with double BT self-lube bush

MGZ12545PBTFS



Code for wheel with double HT ball bearing

-



Code wheel with double sintered bronze bush

-

