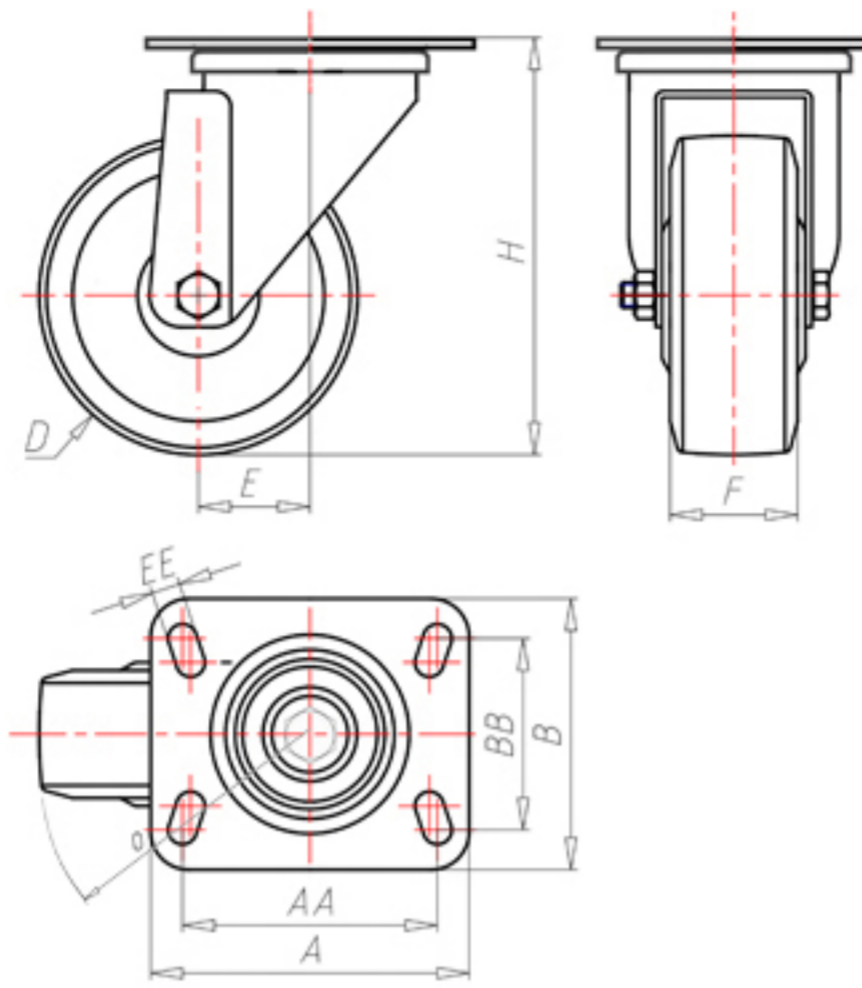


**DITHERM
MTW**

+300°C
-40°C



| | | |
|--|-------|---------|
| | D | 200 |
| | F | 50 |
| | H | 235 |
| | AxB | 135x110 |
| | AAxBB | 105x80 |
| | EE | 11 |
| | E | 56 |
| | O | 152 |
| | LC | 500 |



Code for plain bore wheel

MGZ200P



Code for wheel with coated bush

-



Code for wheel with double BT self-lube bush

-



Code for wheel with double HT ball bearing

-



Code wheel with double sintered bronze bush

MGZ200PBS

