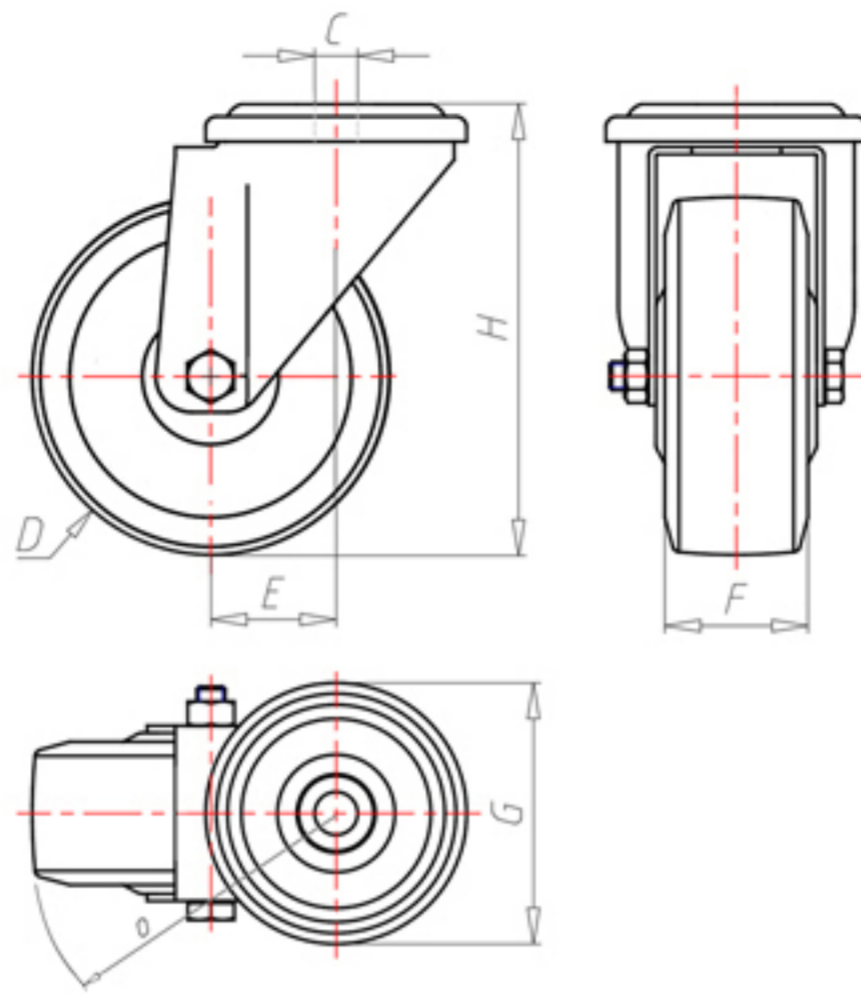


**DITHERM
MTW**

+300°C
-40°C



	D	100
	F	35
	H	128
	G	Ø 77
	C	Ø 12
	E	42
	O	92
	LC	190



Code for plain bore wheel

MPZ100L



Code for wheel with coated bush

MPZ100LBR



Code for wheel with double BT self-lube bush

MPZ100LBT



Code for wheel with double HT ball bearing

-



Code wheel with double sintered bronze bush

MPZ100LBS

