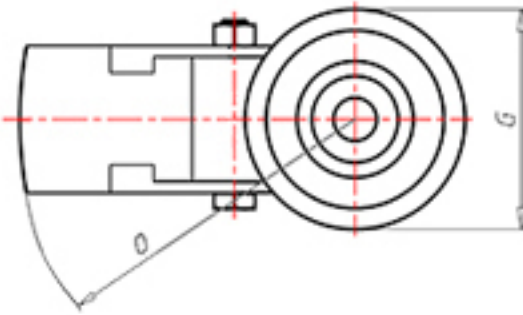
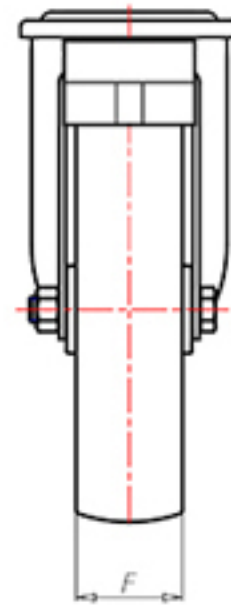
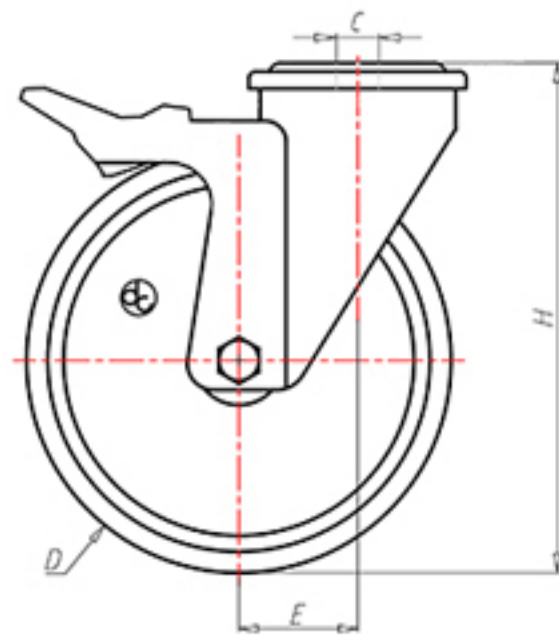


**DITHERM  
MTW**

+300°C  
-40°C



	D	125
	F	40
	H	155
	G	Ø 77
	C	Ø 12
	E	44
	O	124
	LC	230



Code for plain bore wheel

**MPZ12545FA**



Code for wheel with coated bush

**MPZ12545BRFA**



Code for wheel with double BT self-lube bush

**MPZ12545BTFA**



Code for wheel with double HT ball bearing

-



Code wheel with double sintered bronze bush

-

