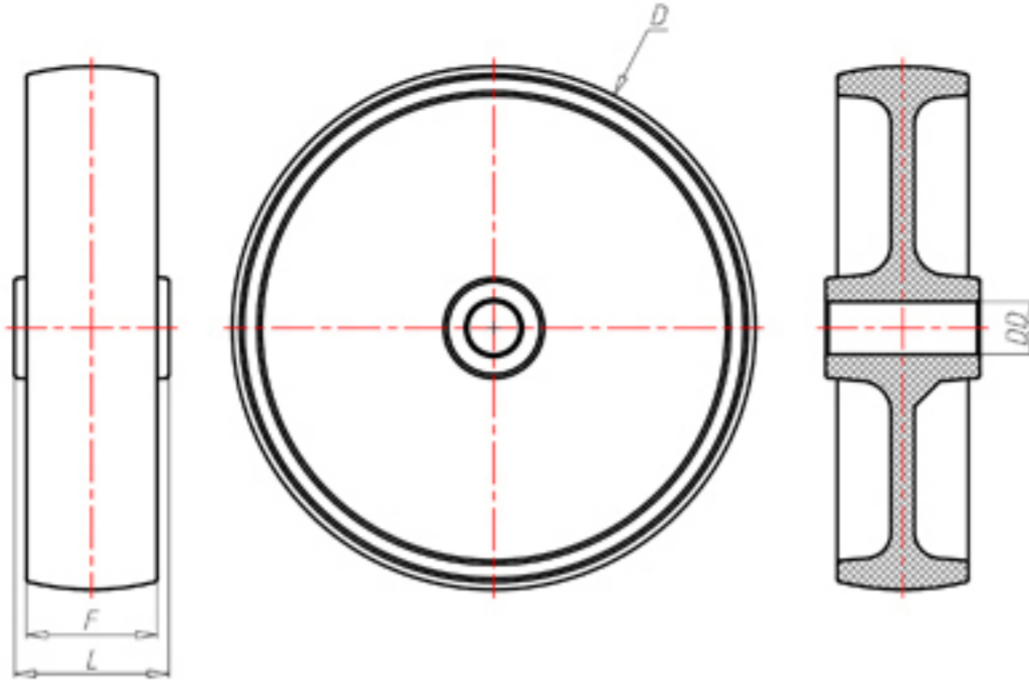




+300°C
-40°C



	D	100
	F	35
	L	40
	DD	Ø 12
	LC	190



Code for plain bore wheel

-



Code for wheel with coated bush

MTW100LBR



Code for wheel with double BT self-lube bush

-



Code for wheel with double HT ball bearing

-



Code wheel with double sintered bronze bush

-

