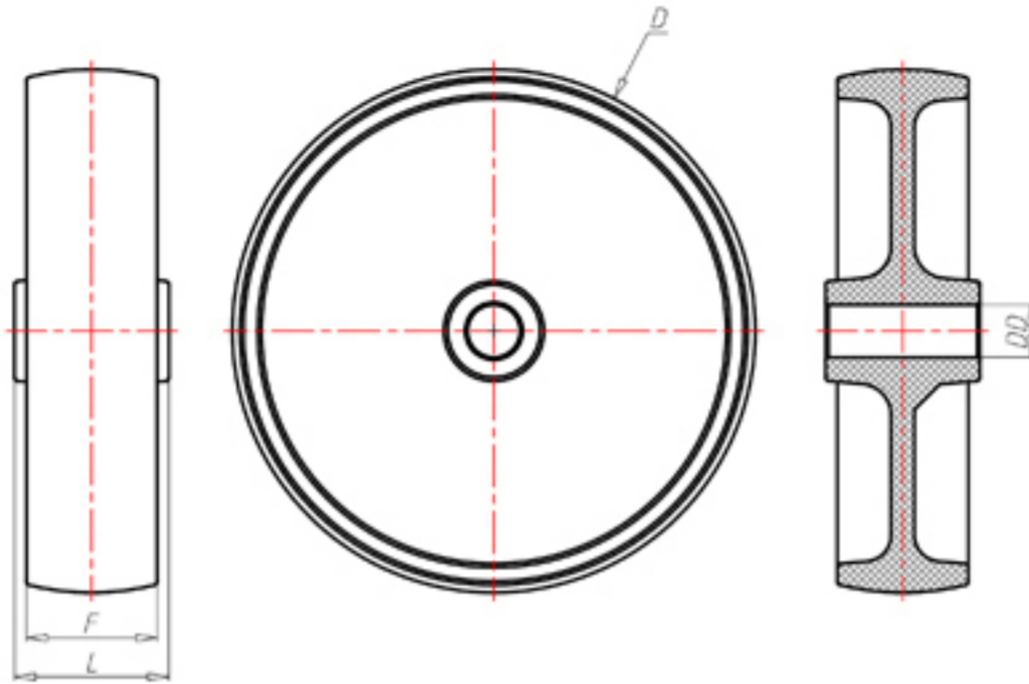


**DITHERM  
MTW**

+300°C  
-40°C



	D	125
	F	40
	L	45
	DD	Ø 15
	LC	250



Code for plain bore wheel

**MTW12545**



Code for wheel with coated bush

-



Code for wheel with double BT self-lube bush

-



Code for wheel with double HT ball bearing

-



Code wheel with double sintered bronze bush

-

