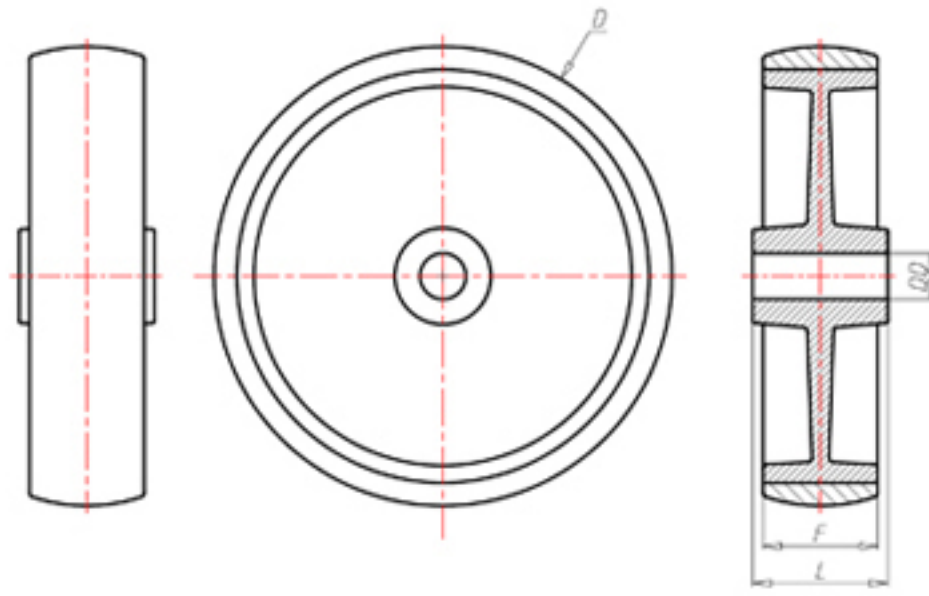




70 Shore D
+90°C
-40°C



	D	200
	F	50
	L	58
	DD	Ø 20
	LC	750



Code for plain bore wheel

NY20060



Code for wheel with roller bearing

NY20060R



Code for wheel with Inox roller bearing

NY20060RX

