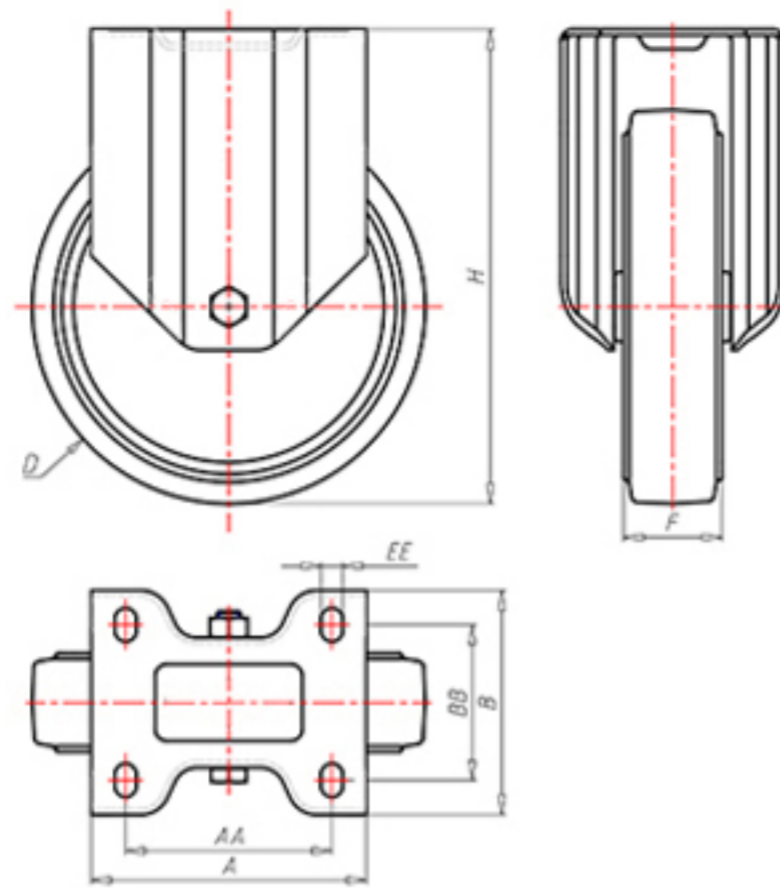




70 Shore D
+90°C
-40°C

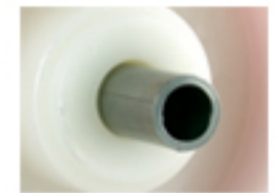


	D	200
	F	50
	H	232
	AxB	135x110
	AAxBB	105x80
	EE	11
	LC	500



Code for plain bore wheel

NYFX20060



Code for wheel with roller bearing

-



Code for wheel with Inox roller bearing

NYFX20060RX

