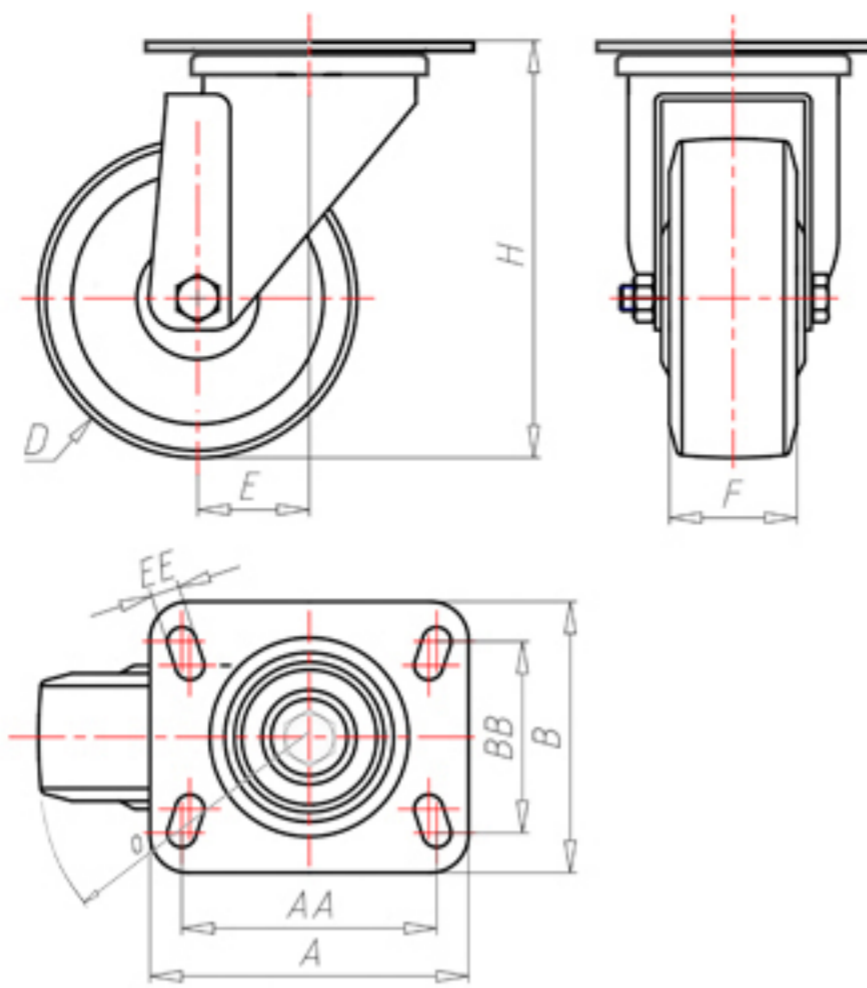




70 Shore D  
+90°C  
-40°C



	D	150
	F	40
	H	184
	AxB	100x85
	AAxBB	80x60
	EE	9
	E	46
	O	107
	LC	280



Code for plain bore wheel  
**NYGX15045P**



Code for wheel with roller bearing  
-



Code for wheel with Inox roller bearing  
**NYGX15045PRX**

