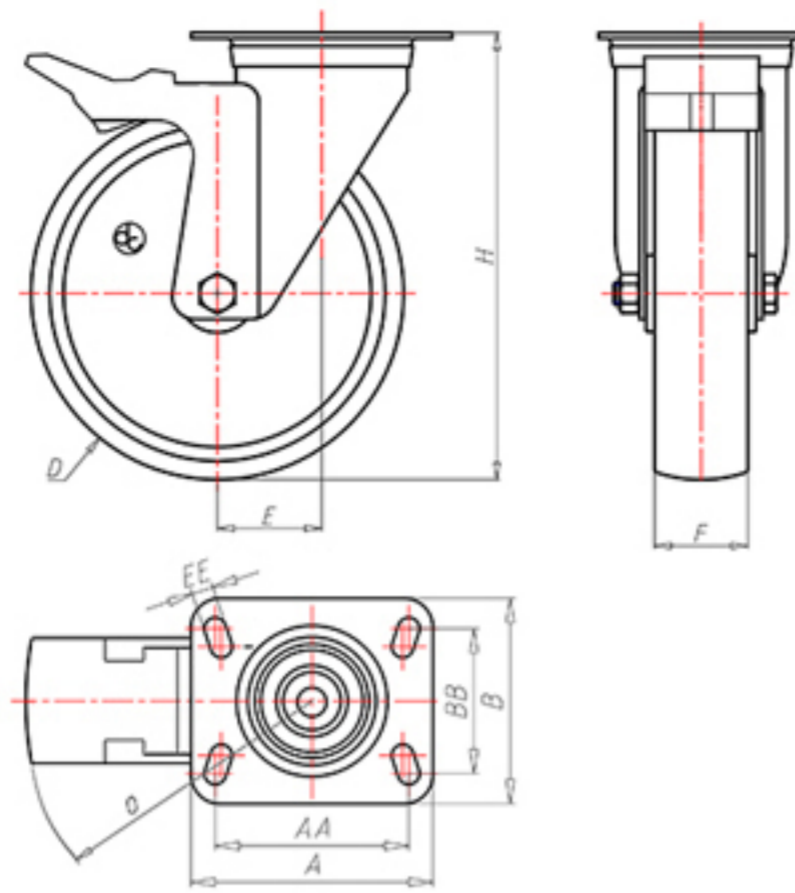




70 Shore D
+90°C
-40°C



| | | |
|--|-------|---------|
| | D | 150 |
| | F | 40 |
| | H | 181 |
| | AxB | 135x110 |
| | AAxBB | 105x80 |
| | EE | 11 |
| | E | 52 |
| | O | 124 |
| | LC | 350 |



Code for plain bore wheel

NYGX15060FA



Code for wheel with roller bearing

-



Code for wheel with Inox roller bearing

NYGX15060RXFA

