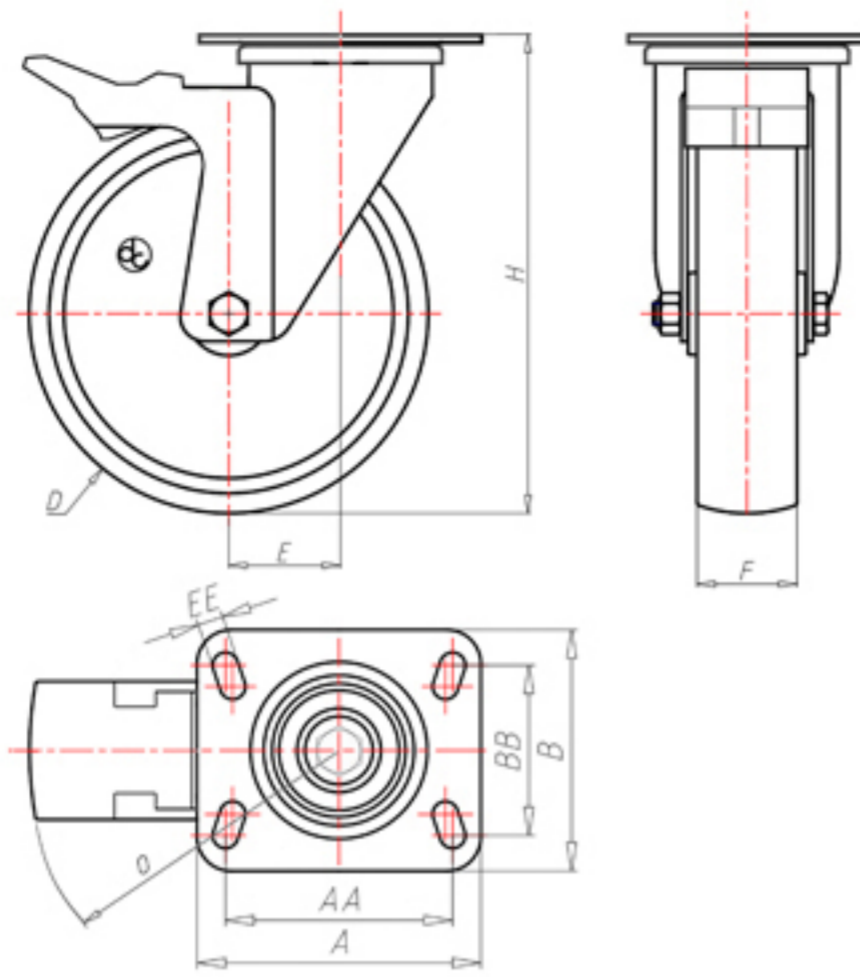




70 Shore D  
+90°C  
-40°C

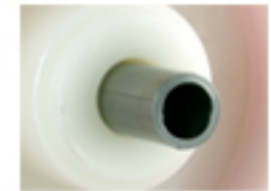


	D	150
	F	40
	H	184
	AxB	135x110
	AAxBB	105x80
	EE	11
	E	52
	O	124
	LC	350



Code for plain bore wheel

**NYGX15060PFA**



Code for wheel with roller bearing

-



Code for wheel with Inox roller bearing

**NYGX15060PRXFA**

