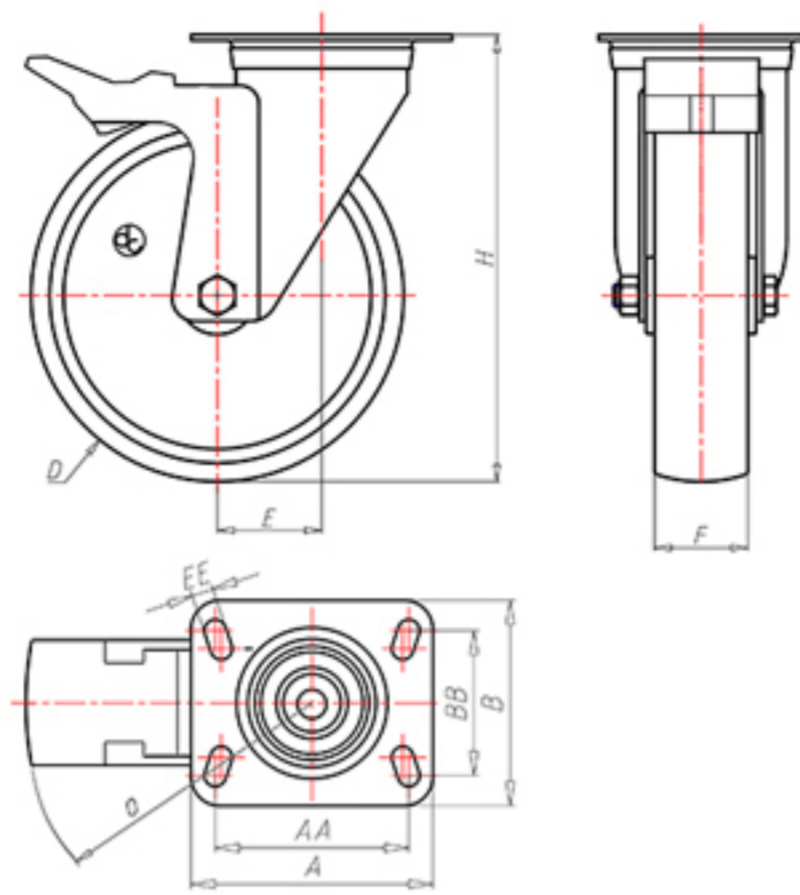




70 Shore D  
+90°C  
-40°C



	D	200
	F	50
	H	232
	AxB	135x110
	AAxBB	105x80
	EE	11
	E	56
	O	167
	LC	400



Code for plain bore wheel  
**NYGX20060FA**



Code for wheel with roller bearing  
-



Code for wheel with Inox roller bearing  
**NYGX20060RXFA**

