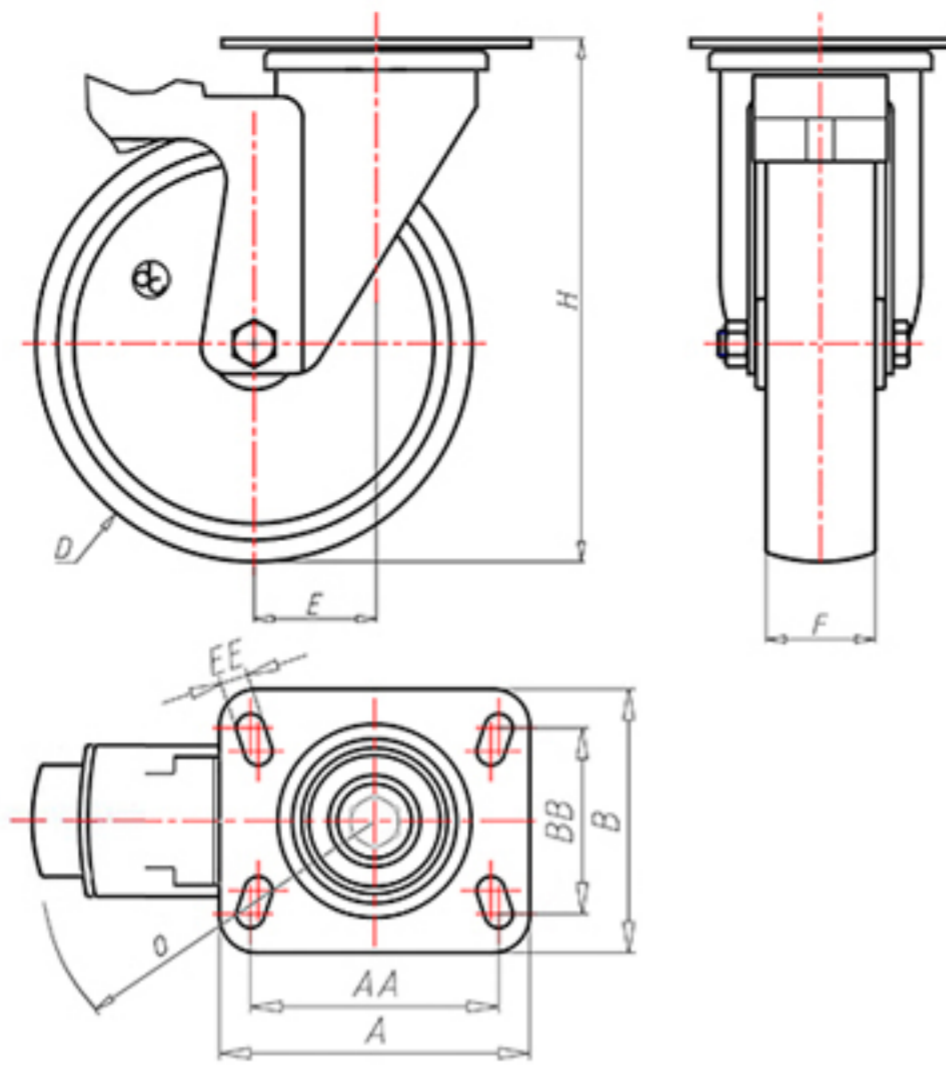




70 Shore D
+90°C
-40°C

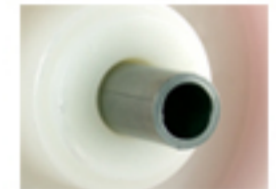


	D	80
	F	33
	H	110
	AxB	100x85
	AAxBB	80x60
	EE	9
	E	40
	O	124
	LC	210



Code for plain bore wheel

NYGX8040PFS



Code for wheel with roller bearing

-



Code for wheel with Inox roller bearing

NYGX8040PRXFS

