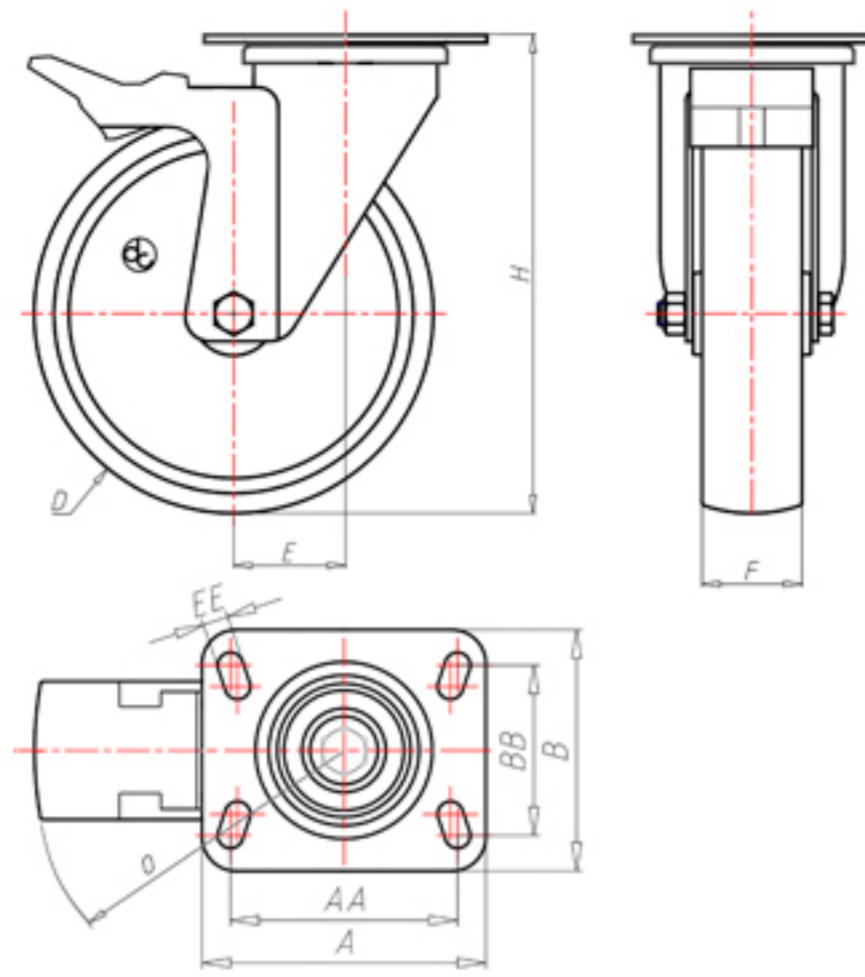




70 Shore D
+90°C
-40°C



	D	100
	F	33
	H	131
	AxB	100x85
	AAxBB	80x60
	EE	9
	E	42
	O	124
	LC	250



Code for plain bore wheel

NYGZ10045PFA



Code for wheel with roller bearing

NYGZ10045PRFA



Code for wheel with Inox roller bearing

-

