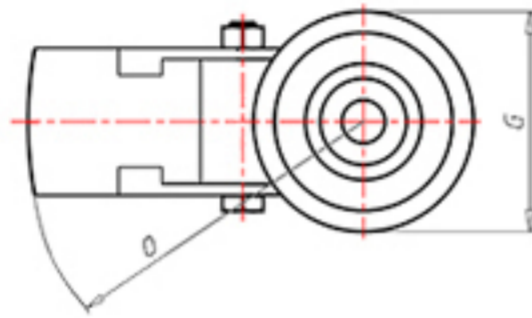
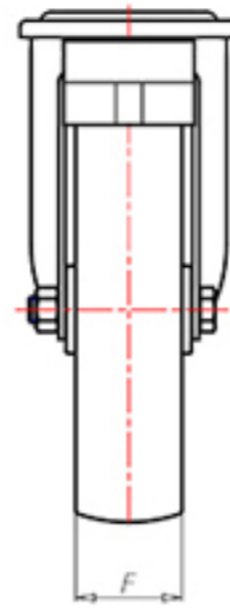
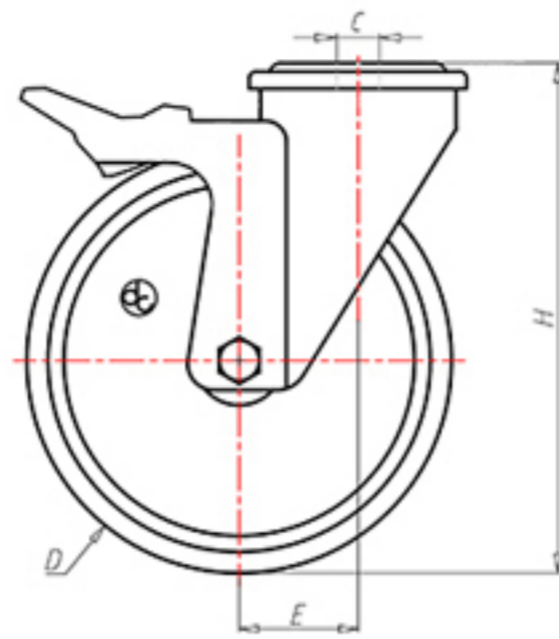




70 Shore D
+90°C
-40°C



	D	150
	F	40
	H	181
	G	Ø 102
	C	Ø 16
	E	52
	O	124
	LC	350



Code for plain bore wheel

NYPX15060FA



Code for wheel with roller bearing

-



Code for wheel with Inox roller bearing

NYPX15060RXFA

