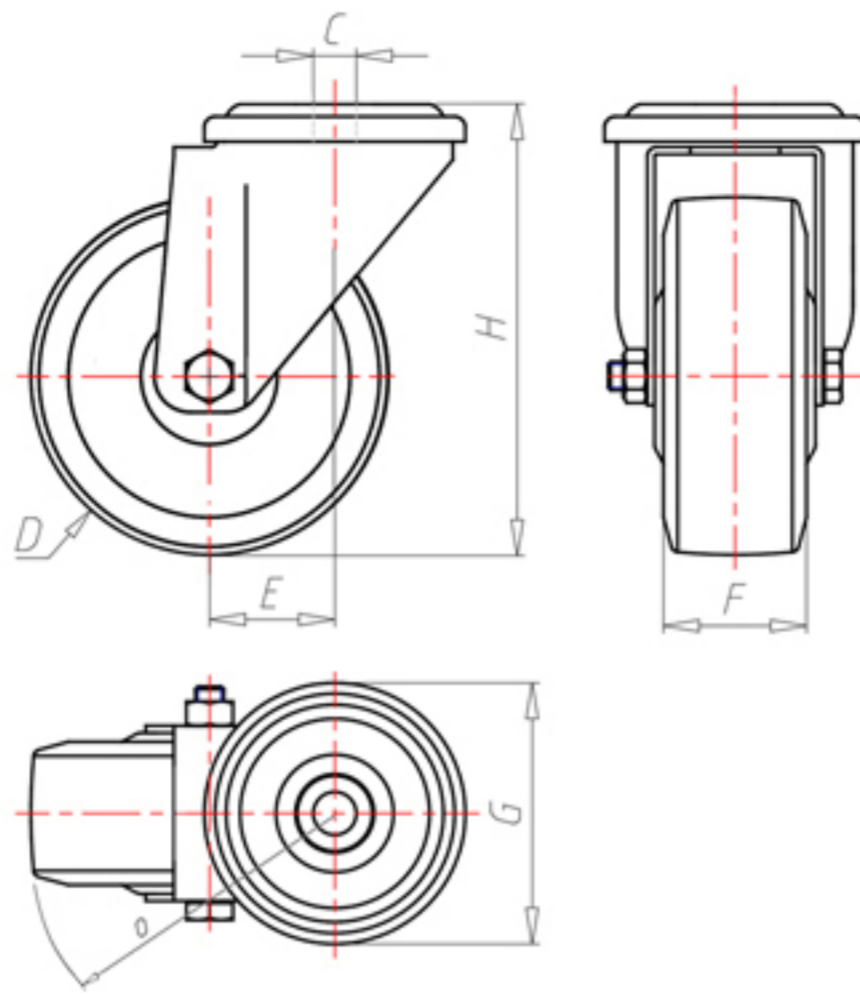




70 Shore D
+90°C
-40°C

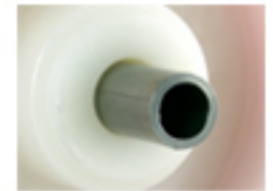


	D	200
	F	50
	H	232
	G	Ø 102
	C	Ø 16
	E	56
	O	152
	Kg LC	400



Code for plain bore wheel

NYPX20060



Code for wheel with roller bearing

-



Code for wheel with Inox roller bearing

NYPX20060RX

