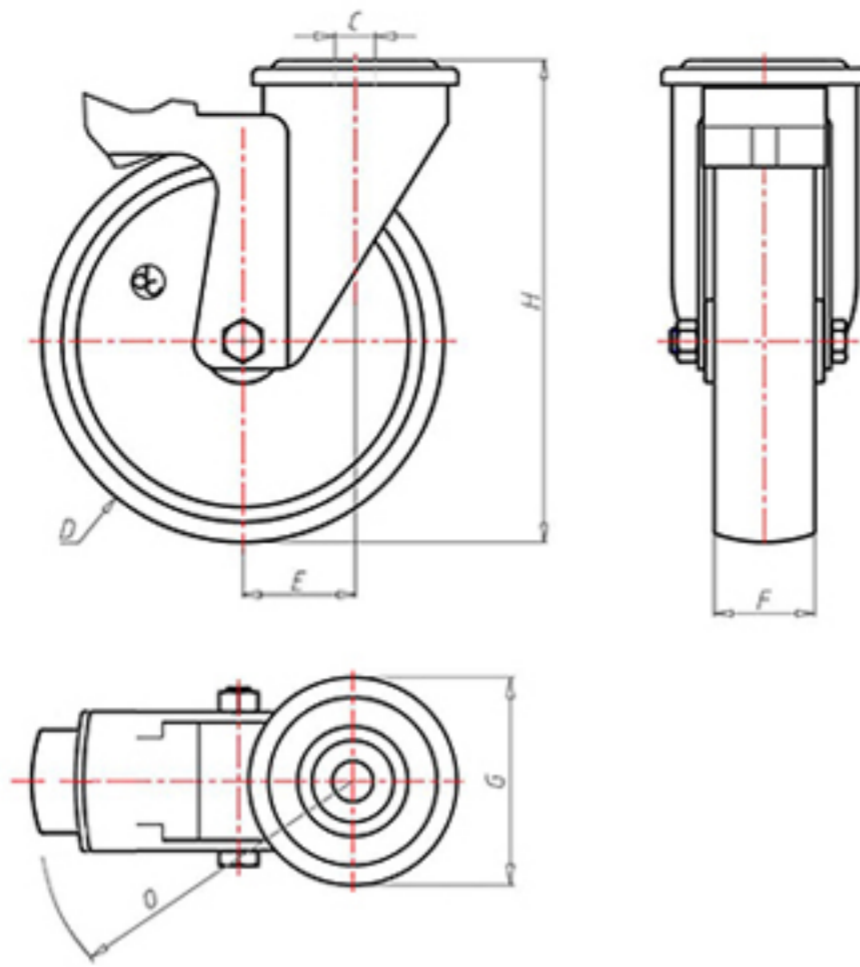




70 Shore D  
+90°C  
-40°C

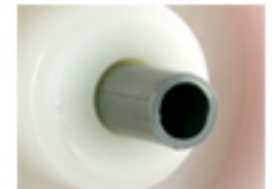


	D	80
	F	33
	H	108
	G	Ø 77
	C	Ø 12
	E	40
	O	124
	Kg LC	200



Code for plain bore wheel

**NYPX8045FS**



Code for wheel with roller bearing

-



Code for wheel with Inox roller bearing

**NYPX8045RXFS**

