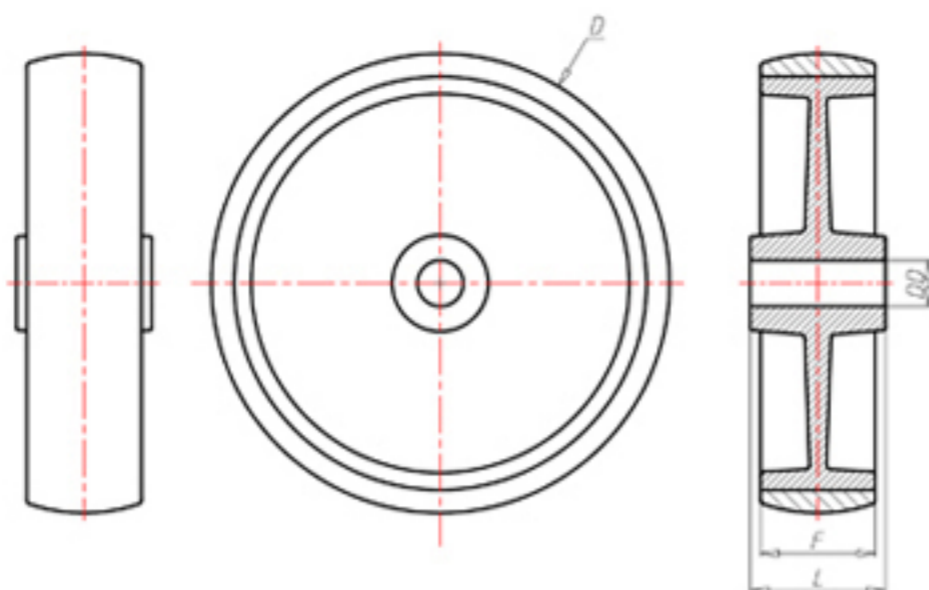


D-NAMIC

92 Shore A  
+90°C  
-40°C



	D	125
	F	35
	L	45
	DD	Ø 15
	LC	340



Code for plain bore wheel

-



Code for wheel with roller bearing

-



Code for wheel with Inox roller bearing

-



Code for wheel with double sealed ball bearing

PXN12540C



Code for wheel with double sealed Inox ball bearing

PXN12540CX

