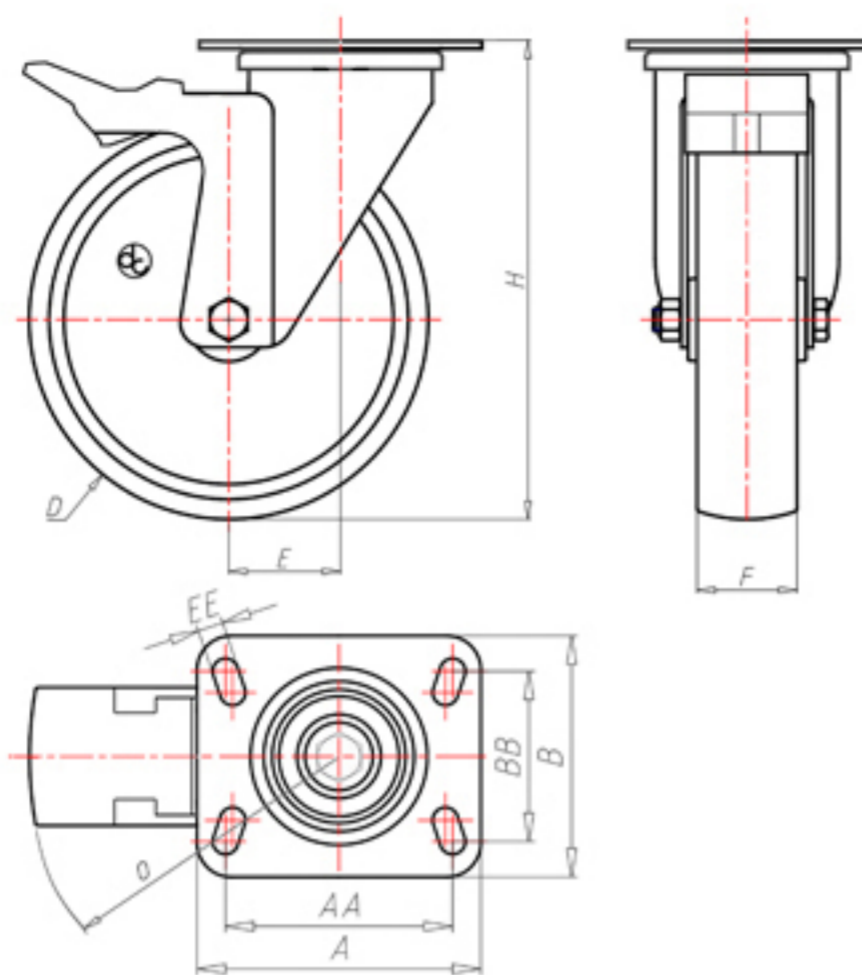


**DITHERM
RXT**

+300°C
-40°C

INOX



| | | |
|--|-------|--------|
| | D | 100 |
| | F | 30 |
| | H | 131 |
| | AxB | 100x85 |
| | AAxBB | 80x60 |
| | EE | 9 |
| | E | 42 |
| | O | 124 |
| | LC | 120 |



Code for plain bore wheel

RGX100WPFS



Code for wheel with coated bush

RGX100WPBRFS



Code for wheel with double BT self-lube bush

RGX100WPBTFS



Code for wheel with double HT ball bearing

RGX100WPCFS

