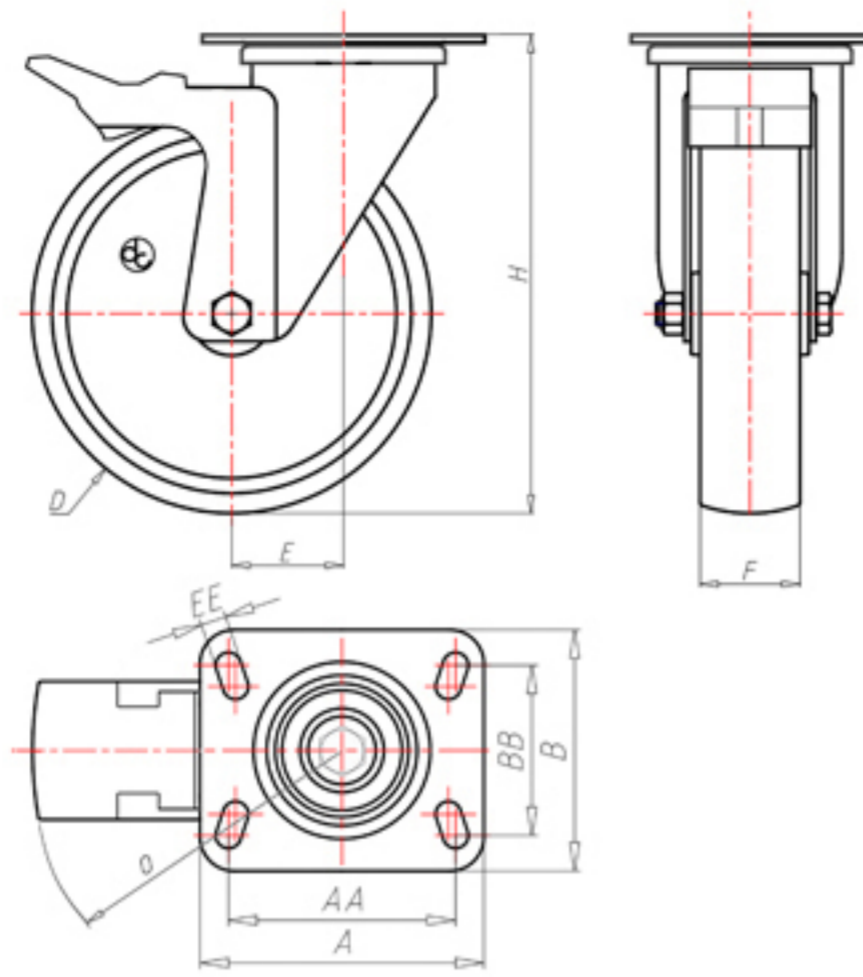




+260°C  
-40°C



	D	100
	F	30
	H	128
	AxB	100x85
	AAxBB	80x60
	EE	9
	E	42
	O	124
	LC	120



Code for plain bore wheel

**RGZ100FA**



Code for wheel with coated bush

**RGZ100BRFA**



Code for wheel with double BT self-lube bush

**RGZ100BTFA**



Code for wheel with double HT ball bearing

**RGZ100CFA**

