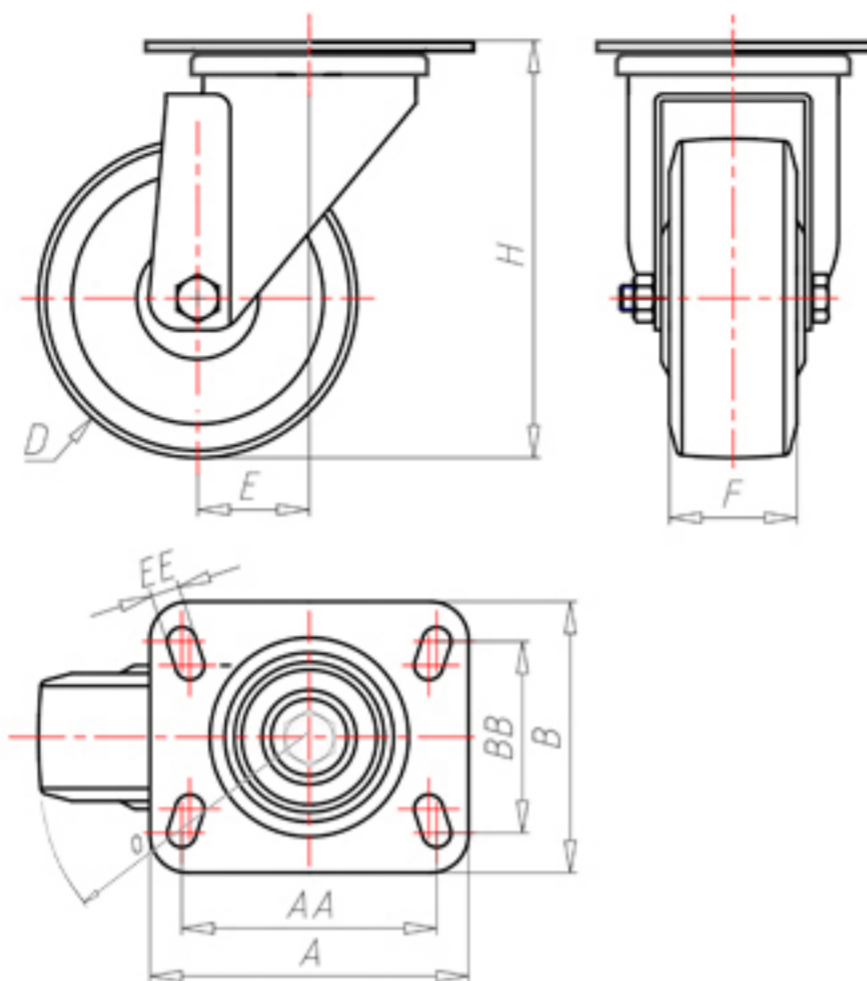




+300°C  
-40°C



	D	100
	F	30
	H	131
	AxB	100x85
	AAxBB	80x60
	EE	9
	E	42
	O	92
	LC	120



Code for plain bore wheel

**RGZ100WP**



Code for wheel with coated bush

**RGZ100WPBR**



Code for wheel with double BT self-lube bush

**RGZ100WPBT**



Code for wheel with double HT ball bearing

**RGZ100WPC**

