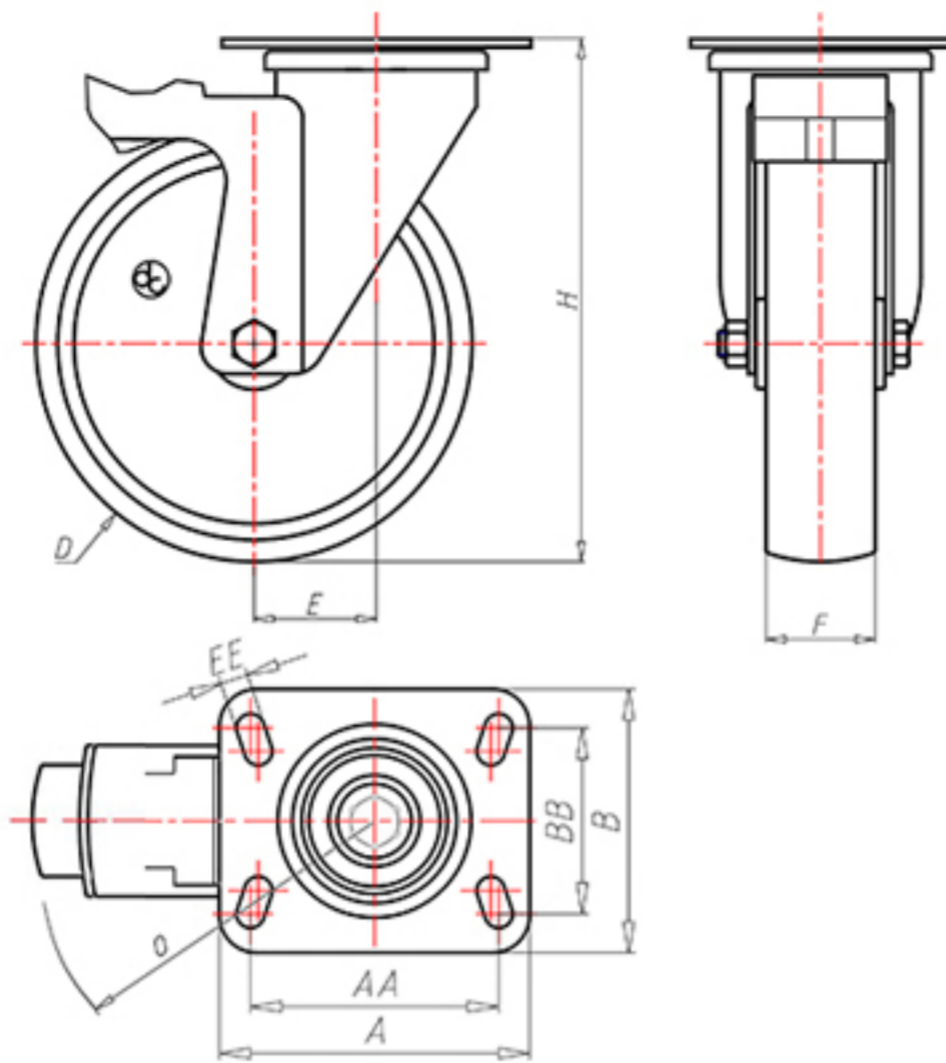




+300°C  
-40°C



|  |       |        |
|--|-------|--------|
|  | D     | 100    |
|  | F     | 30     |
|  | H     | 131    |
|  | AxB   | 100x85 |
|  | AAxBB | 80x60  |
|  | EE    | 9      |
|  | E     | 42     |
|  | O     | 124    |
|  | LC    | 120    |



Code for plain bore wheel

**RGZ100WPFS**



Code for wheel with coated bush

**RGZ100WPBRFS**



Code for wheel with double BT self-lube bush

**RGZ100WPBTFS**



Code for wheel with double HT ball bearing

**RGZ100WPCFS**

