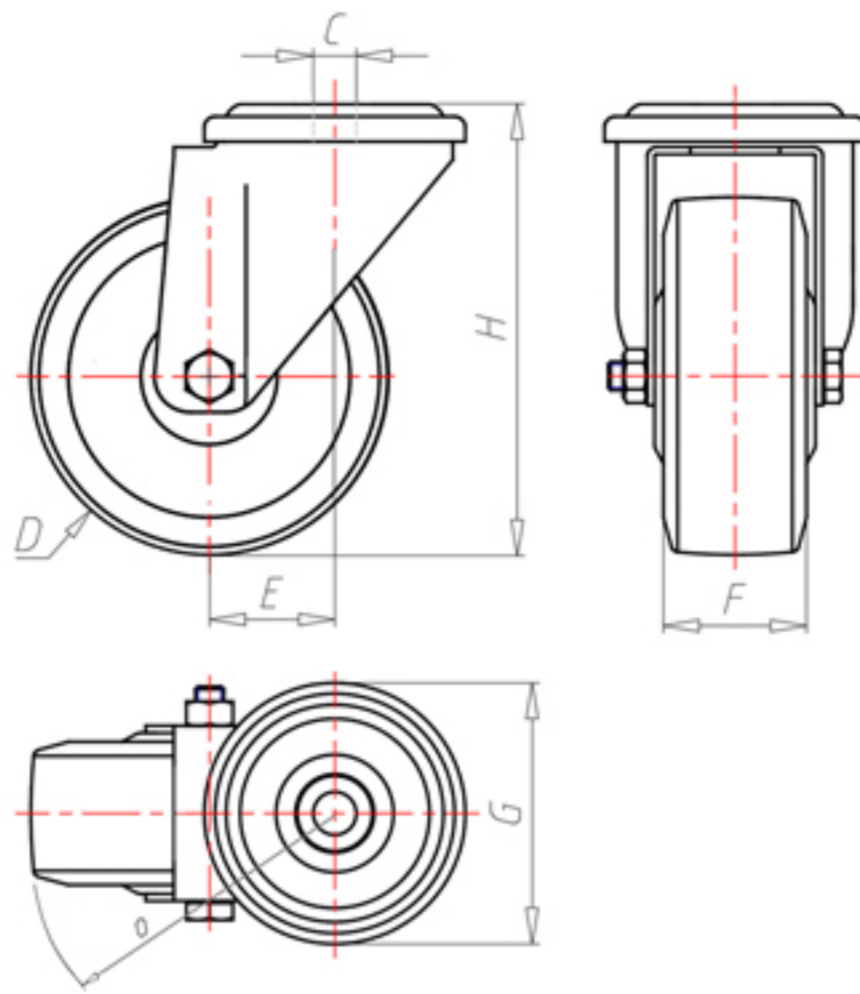


**DITHERM  
RXT**

+300°C  
-40°C



|  |    |      |
|--|----|------|
|  | D  | 100  |
|  | F  | 30   |
|  | H  | 128  |
|  | G  | Ø 77 |
|  | C  | Ø 12 |
|  | E  | 42   |
|  | O  | 92   |
|  | LC | 120  |



Code for plain bore wheel

**RPZ100W**



Code for wheel with coated bush

**RPZ100WBR**



Code for wheel with double BT self-lube bush

**RPZ100WBT**



Code for wheel with double HT ball bearing

**RPZ100WC**

