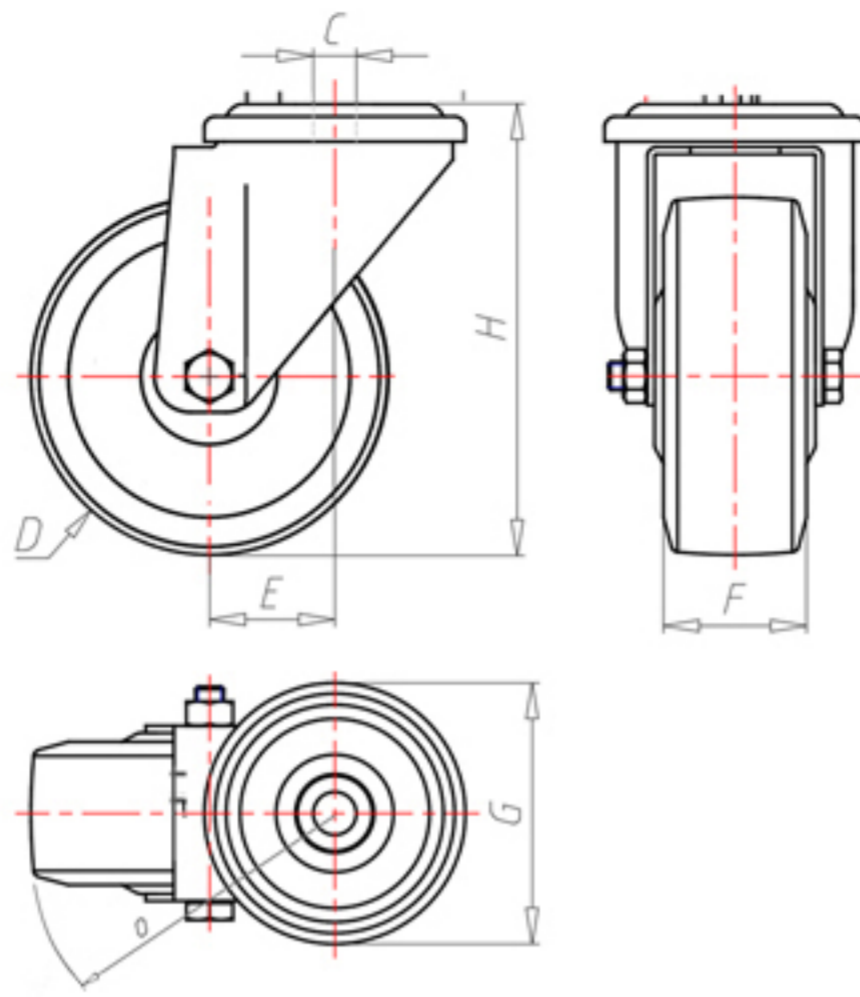




+260°C
-40°C



| | | |
|--|----|------|
| | D | 80 |
| | F | 30 |
| | H | 108 |
| | G | Ø 77 |
| | C | Ø 12 |
| | E | 40 |
| | O | 82 |
| | LC | 100 |



Code for plain bore wheel

RPZ80



Code for wheel with coated bush

RPZ80BR



Code for wheel with double BT self-lube bush

RPZ80BT



Code for wheel with double HT ball bearing

RPZ80C

