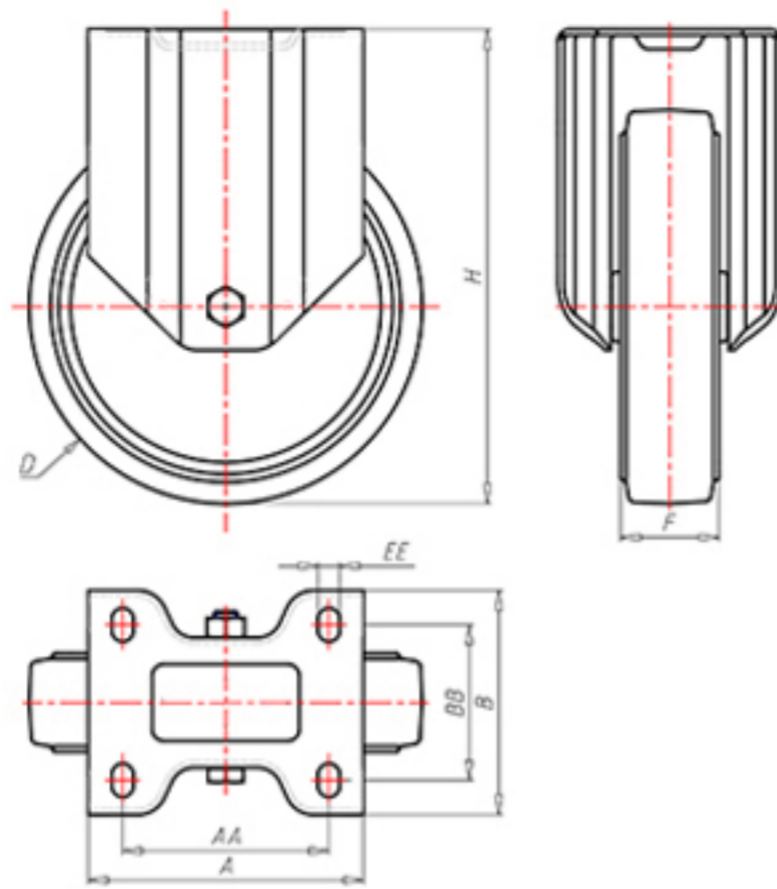


**DITHERM
STW**

+280°C
-70°C

INOX



	D	80
	F	30
	H	108
	AxB	100x85
	AAxBB	80x60
	EE	9
	B	
	BB	
	LC	230



Code for plain bore wheel

SFX80



Code for wheel with coated bush

SFX80BR



Code for wheel with double BT self-lube bush

SFX80BT



Code for wheel with double HT ball bearing

SFX80C

