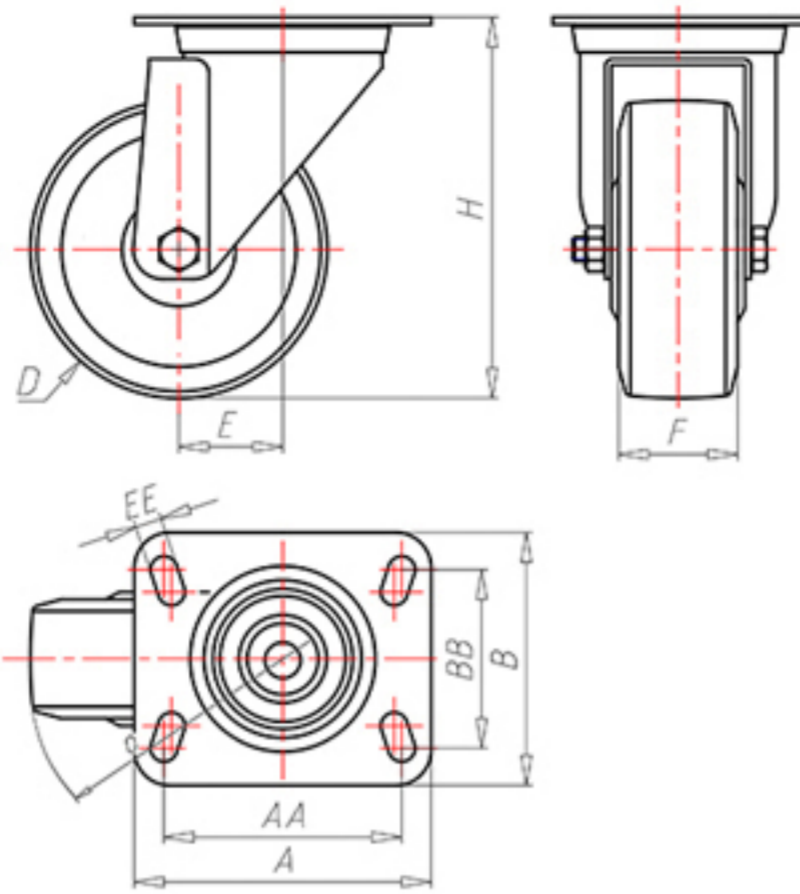


**DITHERM
STW**

+280°C
-70°C

INOX



	D	150
	F	40
	H	181
	AxB	135x110
	AAxBB	105x80
	EE	9
	E	52
	O	120
	LC	350



Code for plain bore wheel

SGX15060



Code for wheel with coated bush

-



Code for wheel with double BT self-lube bush

-



Code for wheel with double HT ball bearing

-

