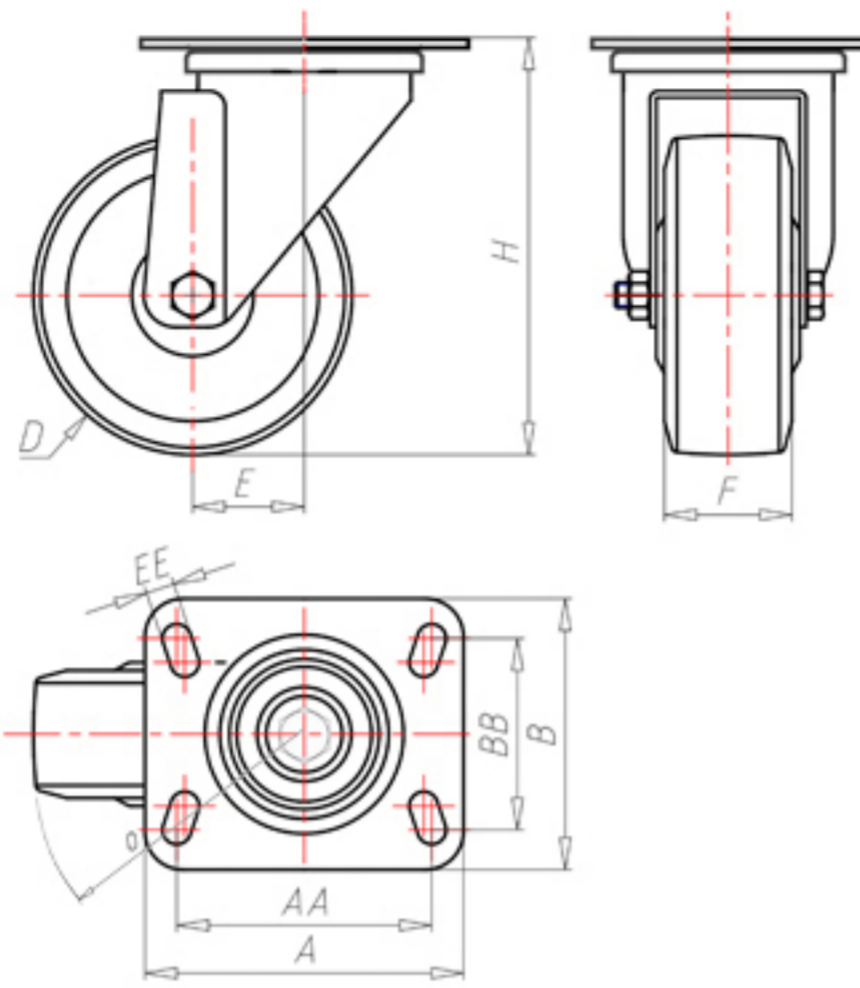


**DITHERM  
STW**

+280°C  
-70°C

**INOX**



	D	150
	F	40
	H	184
	AxB	135x110
	AAxBB	105x80
	EE	9
	E	52
	O	120
	LC	380



Code for plain bore wheel

**SGX15060P**



Code for wheel with coated bush

-



Code for wheel with double BT self-lube bush

-



Code for wheel with double HT ball bearing

-

