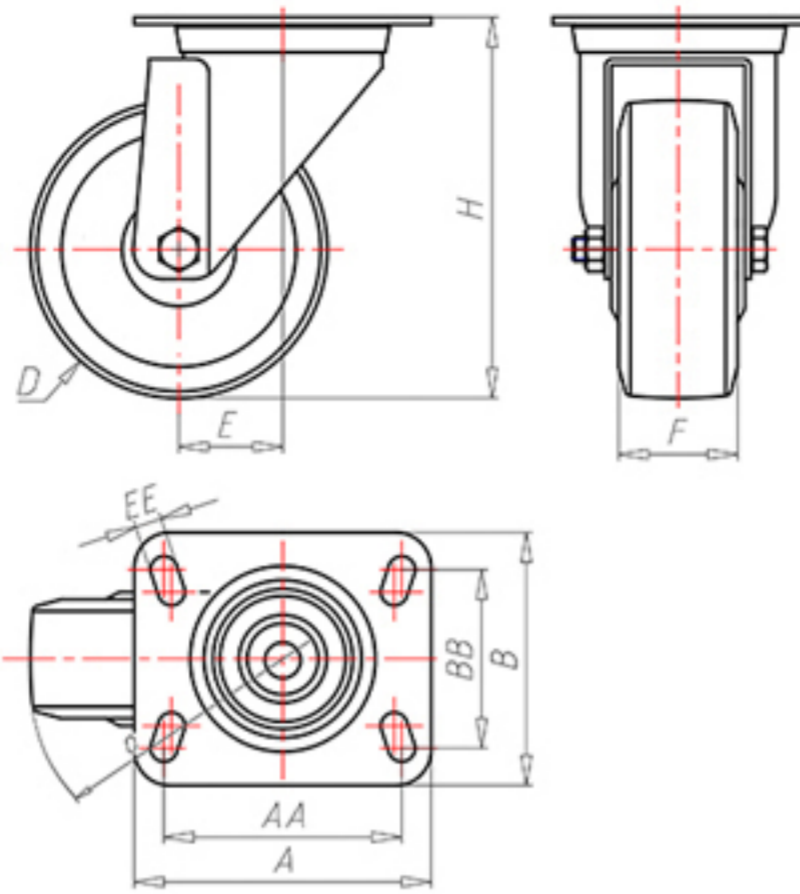


**DITHERM  
STW**

+280°C  
-70°C

**INOX**



	D	200
	F	50
	H	232
	AxB	135x110
	AAxBB	105x80
	EE	9
	E	56
	O	152
	LC	400



Code for plain bore wheel

**SGX20060**



Code for wheel with coated bush

-



Code for wheel with double BT self-lube bush

-



Code for wheel with double HT ball bearing

-

