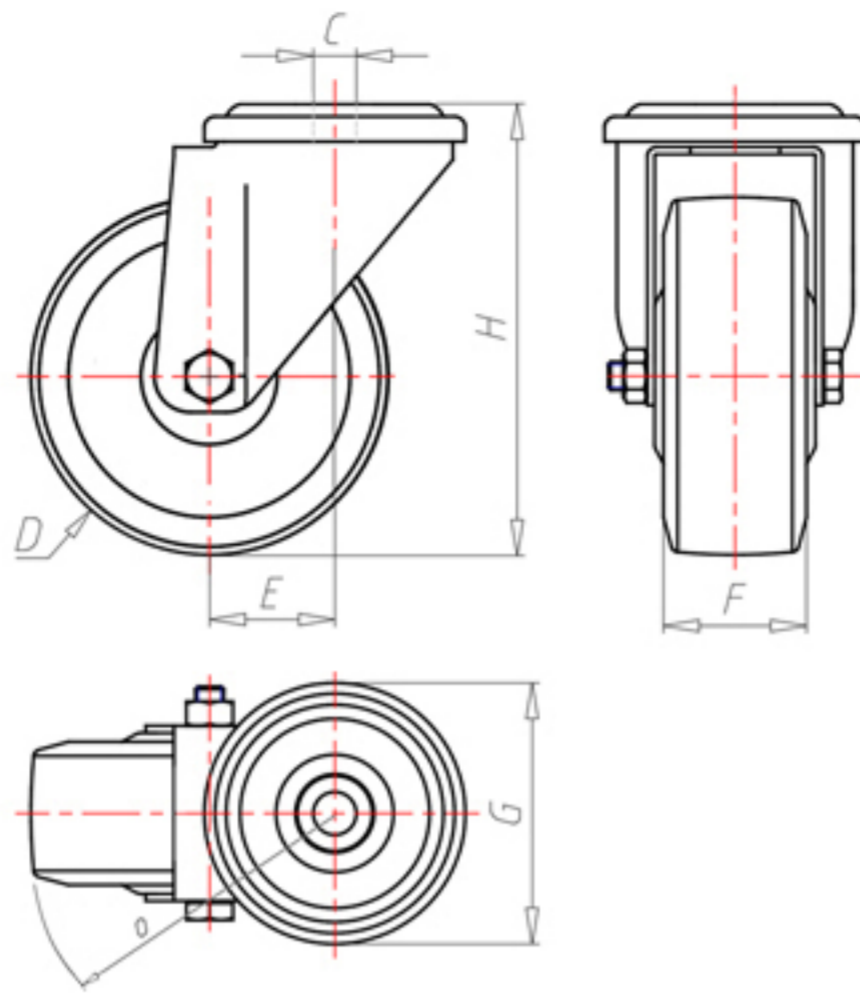


**DITHERM
STW**

+280°C
-70°C

INOX



	D	125
	F	40
	H	155
	G	Ø 77
	C	Ø 12
	E	44
	O	107
	LC	230



Code for plain bore wheel

SPX12545



Code for wheel with coated bush

SPX12545BR



Code for wheel with double BT self-lube bush

-



Code for wheel with double HT ball bearing

-

