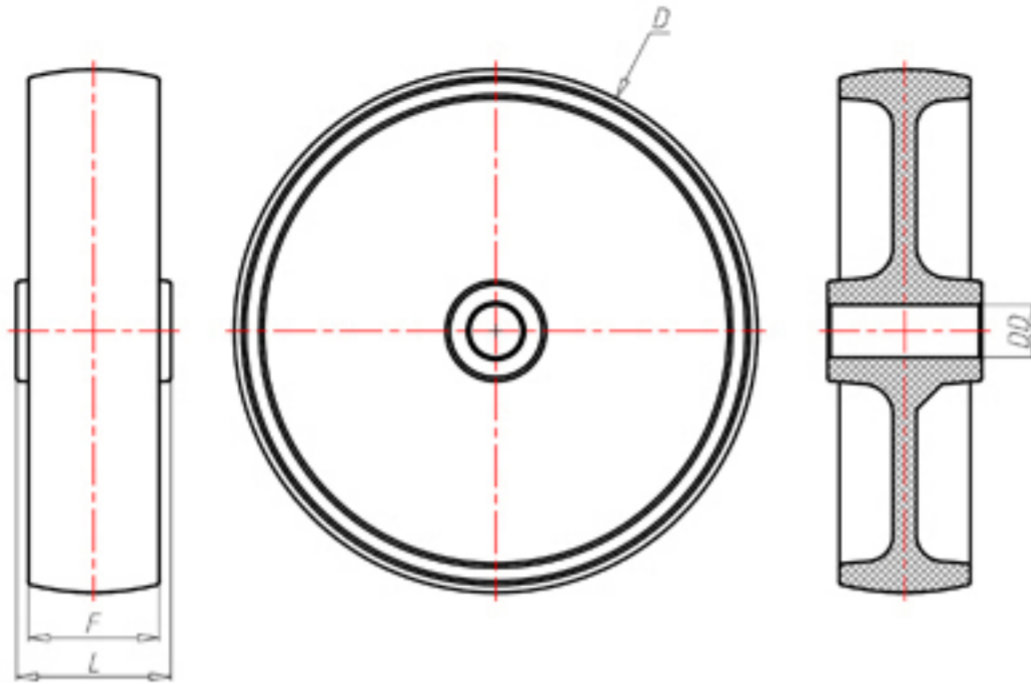
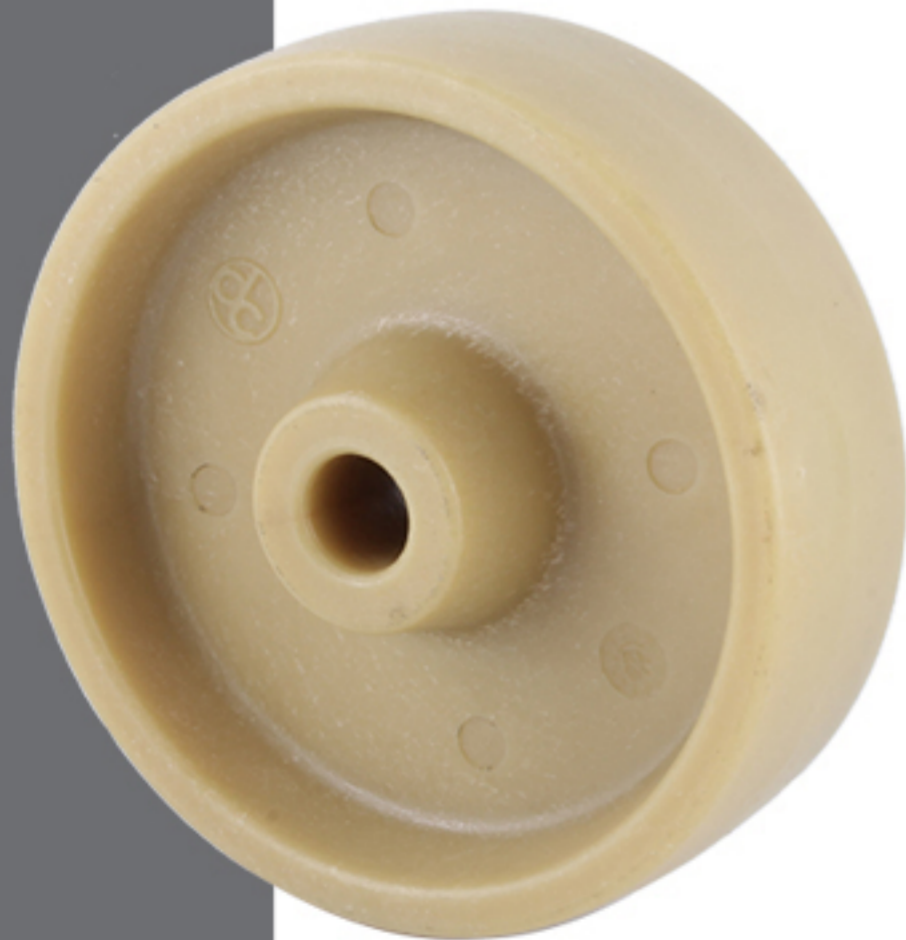




+280°C
-70°C



| | | |
|--|----|------|
| | D | 100 |
| | F | 30 |
| | L | 45 |
| | DD | Ø 10 |
| | LC | 350 |



Code for plain bore wheel

-



Code for wheel with coated bush

-



Code for wheel with double BT self-lube bush

STW100WBT



Code for wheel with double HT ball bearing

-



Code wheel with double sintered bronze bush

-

