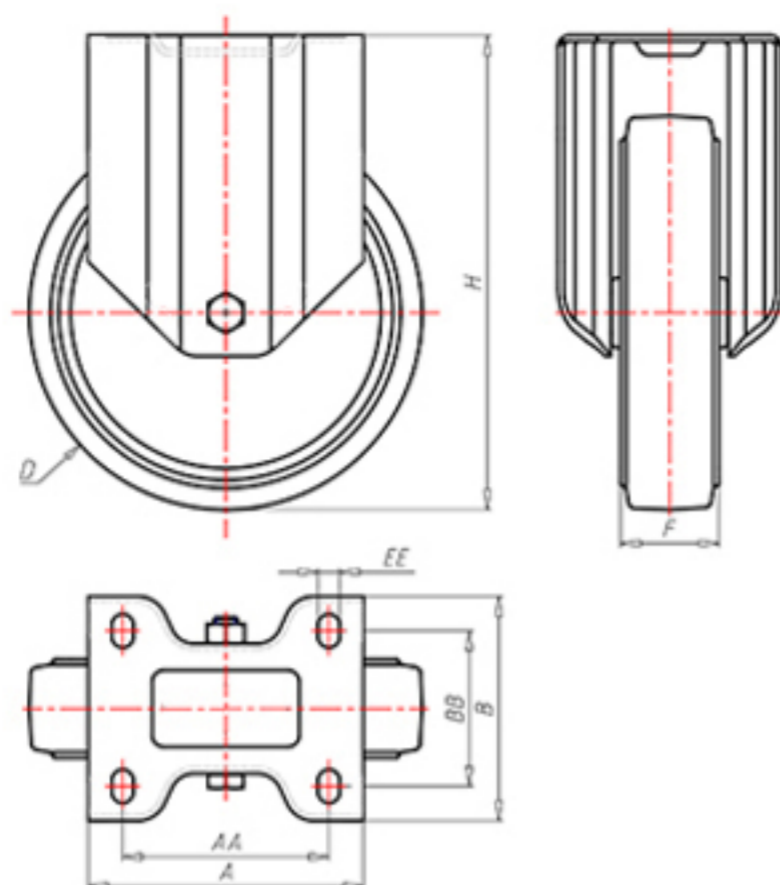


D-NAMIC

92 Shore A
+90°C
-40°C

INOX



	D	150
	F	40
	H	181
	AxB	135x110
	AAxBB	105x80
	EE	11
	LC	380



Code for plain bore wheel

XNFX15060



Code for wheel with Inox roller bearing

XNFX15060RX



Code for wheel with double sealed ball bearing

XNFX15060C



Code for wheel with double sealed Inox ball bearing

XNFX15060CX

