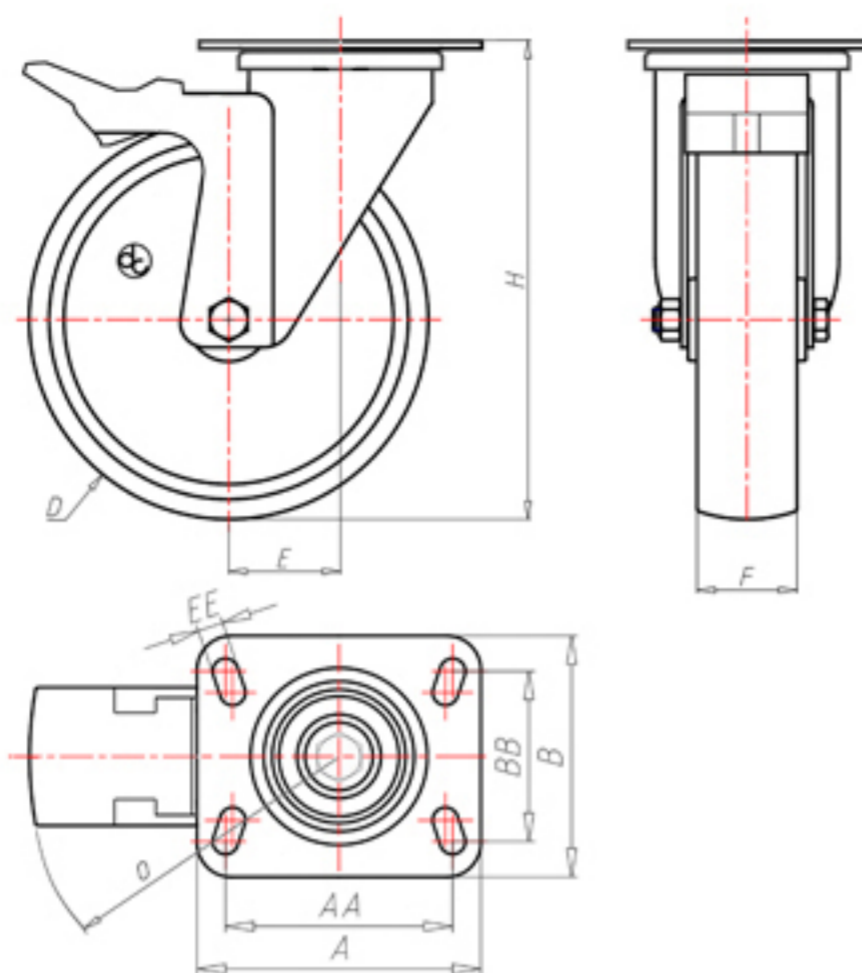


D-NAMIC

92 Shore A  
+90°C  
-40°C

INOX



	D	100
	F	33
	H	131
	AxB	100x85
	AAxBB	80x60
	EE	9
	E	42
	O	124
	LC	250



Code for plain bore wheel  
**XNGX10040PFA**



Code for wheel with rinox roller bearing  
**XNGX10040PRXFA**



Code for wheel with double sealed ball bearing  
**XNGX10040PCFA**



Code for wheel with double sealed Inox ball bearing  
**XNGX10040PCXFA**

